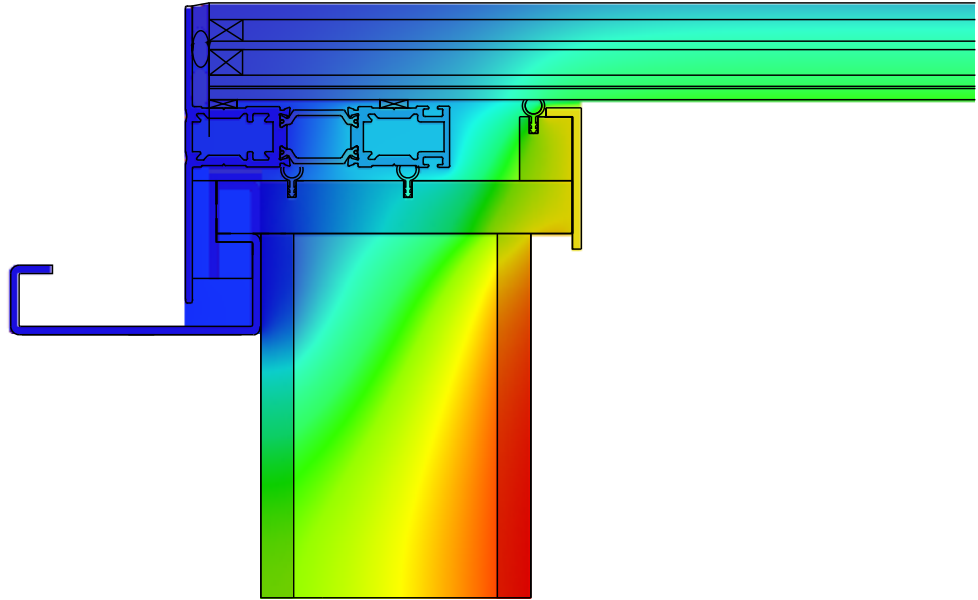


# Thermal Performance Certificate



\*image for illustrative purposes only

**Order:** EOS-00000  
**Product :** EOS100 Pitched Fixed (Triple Glazed)

**External Temperature :** 0.0°C  
**Internal Temperature :** 20.0°C

**Skylight Data**

**Length (m) :** 1.252  
**Width (m) :** 1.252  
**Slope (deg):** 0  
**Upstand High(m):** 0.150  
**Upstand Width(m):** 0.097  
**Effective Glass Area (m<sup>2</sup>) :** 2.199  
**Effective Frame Area (m<sup>2</sup>) :** 0.534  
**Perimeter of Glass (m) :** 5.932  
**U Value of Glass (W/m<sup>2</sup>K) :** 0.571  
**U Value of Frame (W/m<sup>2</sup>K) :** 0.730  
**Psi (W/mK)** 0.036  
**Effective Upstand Area (m<sup>2</sup>) :** 0.871  
**U Value Upstand (W/m<sup>2</sup>K) :** 0.340

**U (Skylight Only) :** N/A  
**U (Skylight & Upstand) :** 0.691

**Created By :** Adrian Mysiuk  
**Title :** Technical

**Signed:**   
**Date Created:** Nov 2023