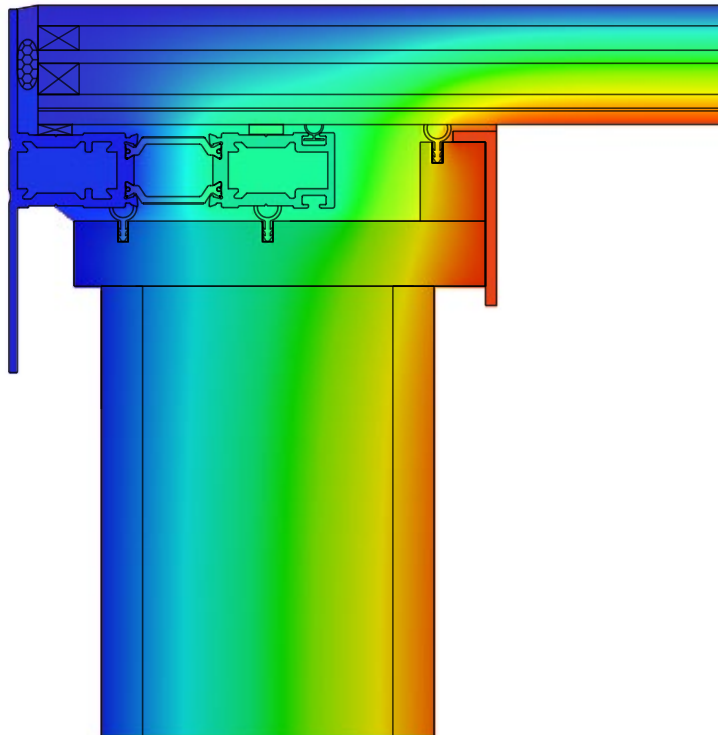


Thermal Performance Certificate



*image for illustrative purposes only

Order: EOS-00000
Product : EOS-97 Single Pane Fixed (Triple Glazed)

External Temperature : 0.0°C
Internal Temperature : 20.0°C

Skylight Data

Length (m) : 1.252
Width (m) : 1.252
Slope (deg): 0
Upstand High(m): 0.300
Upstand Width(m): 0.097
Effective Glass Area (m²) : 2.199
Effective Frame Area (m²) : 0.534
Perimeter of Glass (m) : 5.932
U Value of Glass (W/m²K) : 0.571
U Value of Frame (W/m²K) : 0.730
Psi (W/mK) 0.036
Effective Upstand Area (m²) : 1.742
U Value Upstand (W/m²K) : 0.430

U (Skylight Only) : N/A
U (Skylight & Upstand) : 0.653

0208 462 3557
sales@eosrooflights.co.uk
www.eosrooflights.co.uk

EOS Rooflights

Unit 2,
Sidcup Logistics Park East,
Sidcup,
Kent,
DA14 5FE

Created By : Adrian Mysiuk
Title : Technical

Signed: 
Date Created: Nov 2023