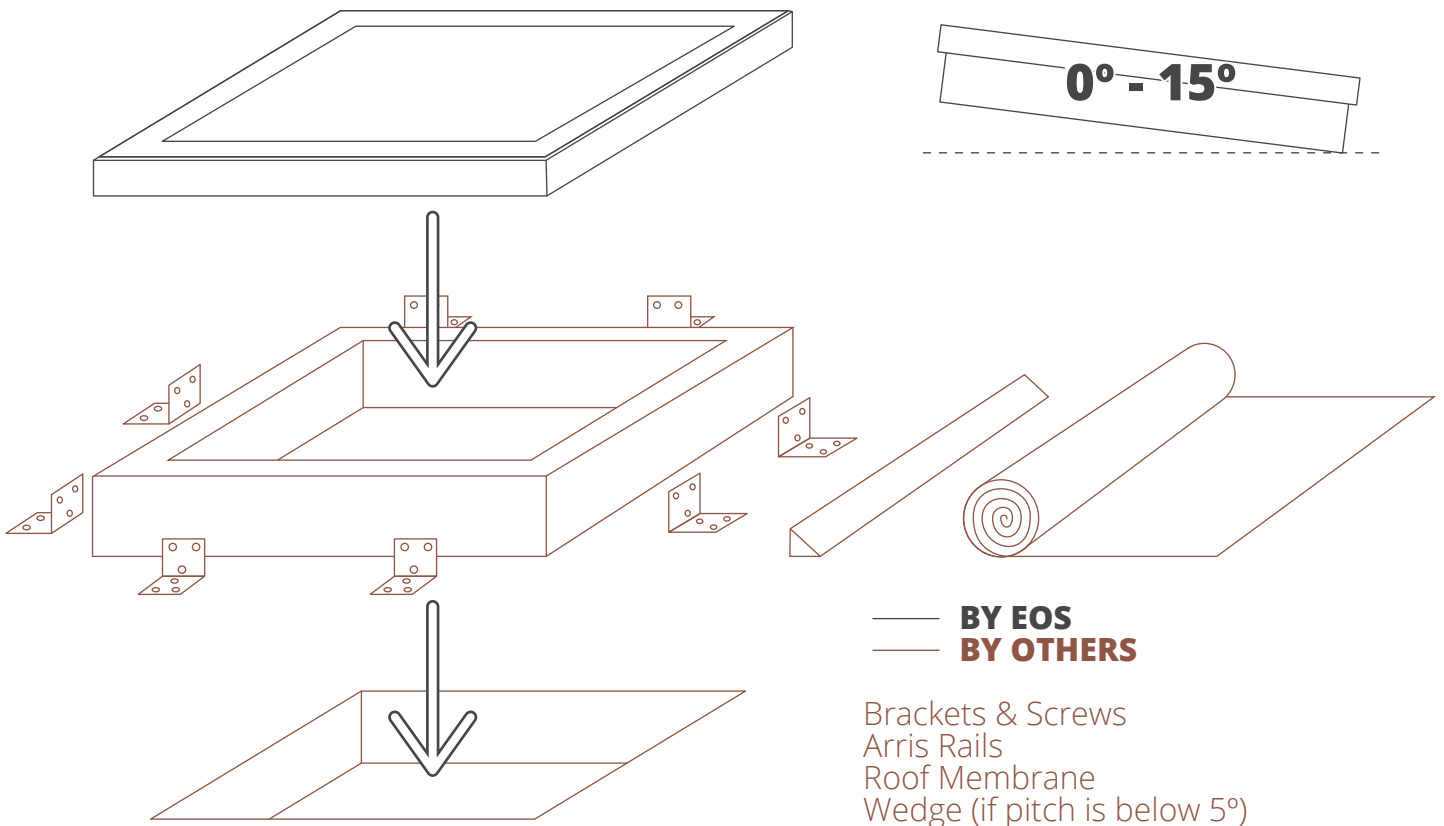


## Tools needed

## IMPORTANT



## Step by Step Guide

- ① Build upstand to dimensions provided (See relevant technical drawing).
- ② If required, fix arris rail to outside of upstand (by others).
- ③ Weatherproof the sides of upstand (by others). Weathering material should not be applied to top of upstand.
- ④ Put Silicone line to upstand outside of upstand.
- ⑤ Place lid on upstand.

