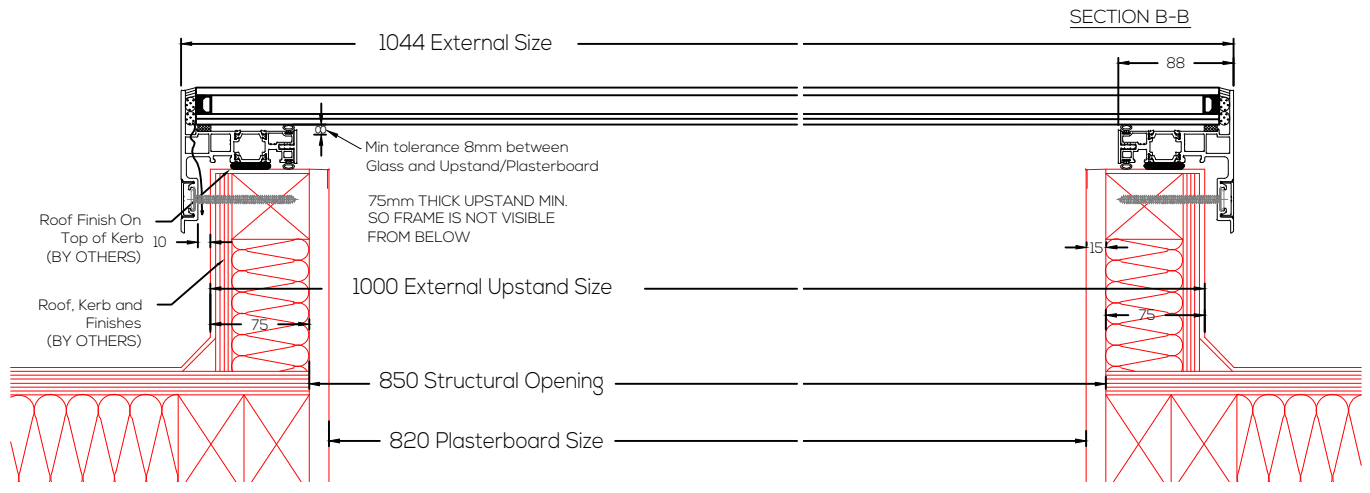
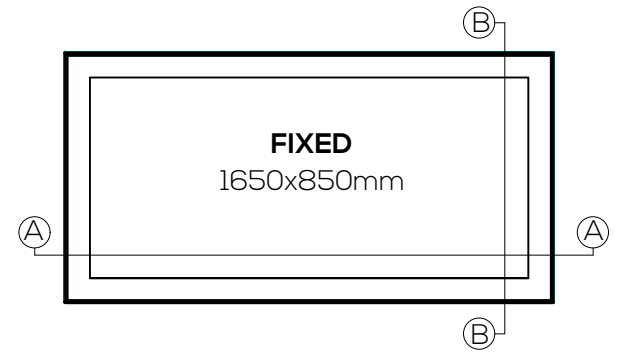
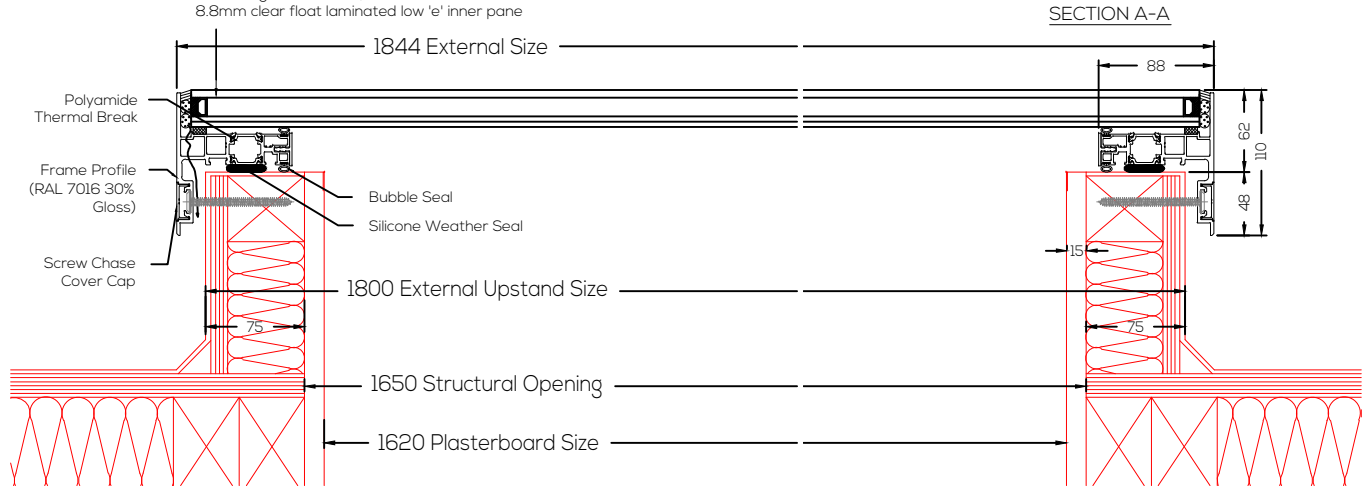
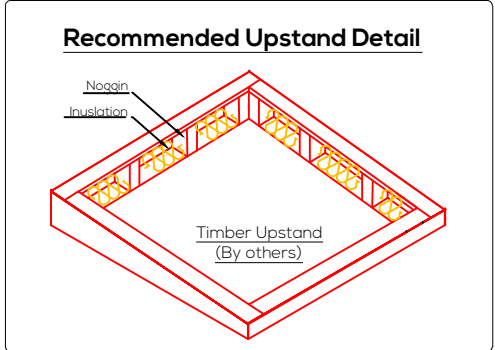


32mm double glazed unit comprising of:  
 6mm clear toughened outer pane  
 18mm Argon filled cavity  
 8.8mm clear float laminated low 'e' inner pane



**Key:**  
 — by others  
 — by EOS



Rooflight must be installed on a roof pitch between 5-15° (by others). Failure to do so will result in water pooling on the rooflight.

<b>Title:</b> Lite Double Glazed Fixed Rooflight - Lid Only (For Builders Upstand)			
<b>System:</b> Lite	<b>Size:</b> 1650mm x 850mm	<b>Type:</b> Fixed	<b>Ref:</b> ST38



**Scale:**  
1:4 @ A3

**Date:**  
Jan 21

**0**  
revision