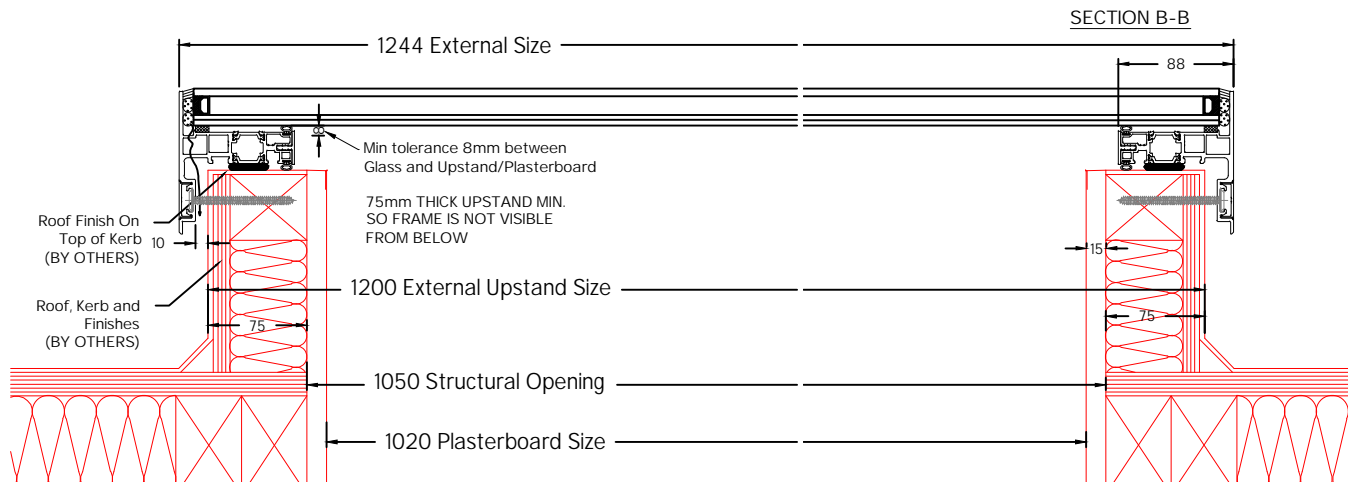
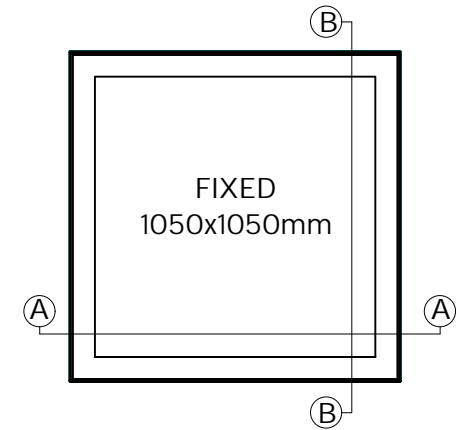
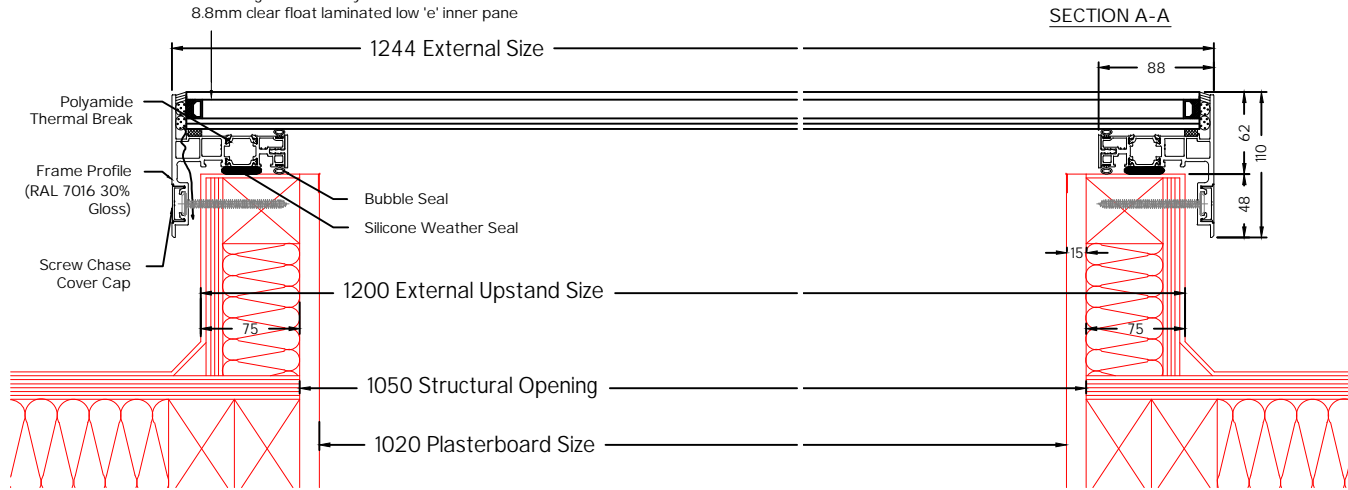
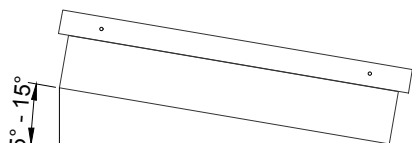
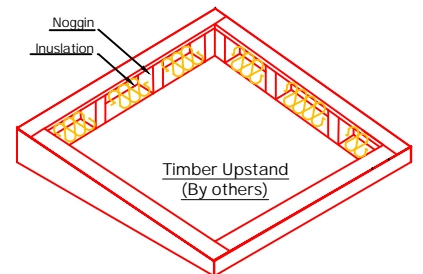


32mm double glazed unit comprising of:
 6mm clear toughened outer pane
 18mm Argon filled cavity
 8.8mm clear float laminated low 'e' inner pane



Key:
 — by others
 — by EOS

Recommended Upstand Detail



Rooflight must be installed on a roof pitch between 5-15° (by others). Failure to do so will result in water pooling on the rooflight.



Title:
 Lite Double Glazed Fixed Rooflight - Lid Only (For Builders Upstand)

System: Lite	Size: 1050mm x 1050mm	Type: Fixed	Ref: ST34
-----------------	--------------------------	----------------	--------------



Scale: 1:4 @ A3	Date: Jan 21	Revision: 0
--------------------	-----------------	----------------