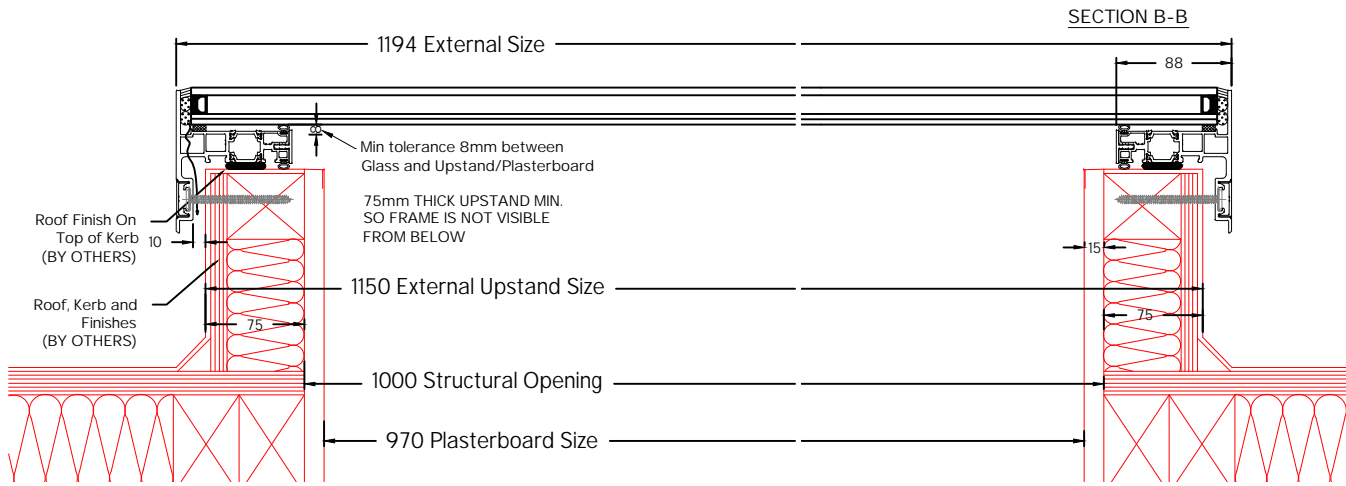
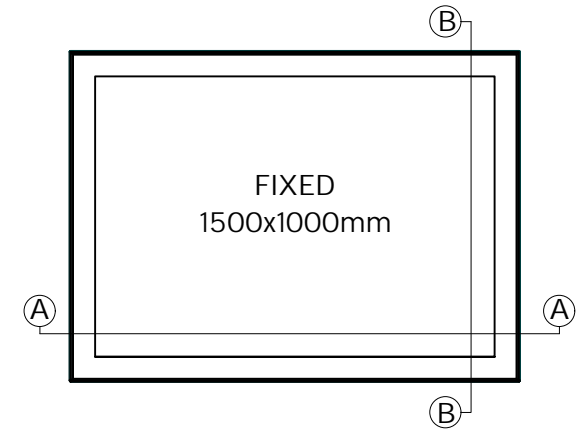
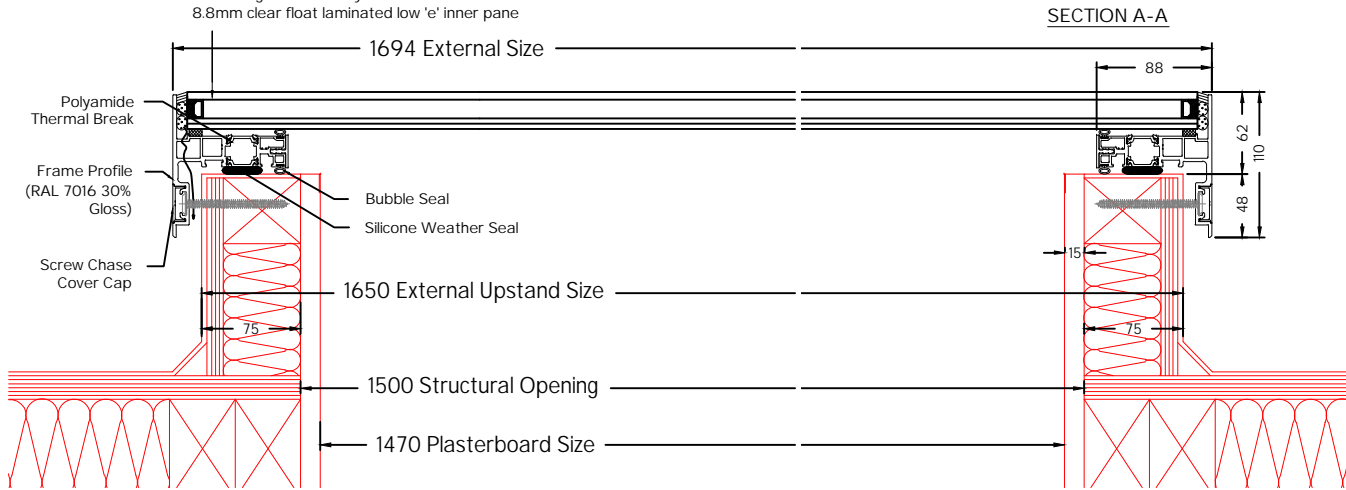
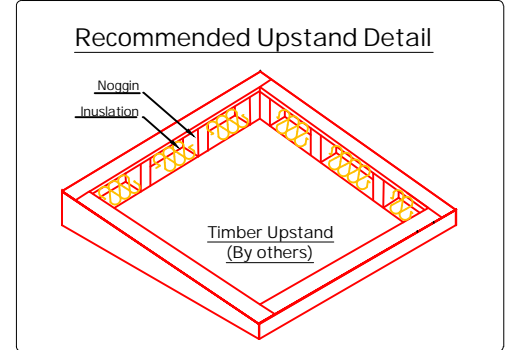


32mm double glazed unit comprising of:
 6mm clear toughened outer pane
 18mm Argon filled cavity
 8.8mm clear float laminated low 'e' inner pane



Key:
 — by others
 — by EOS



5° - 15°

Rooflight must be installed on a roof pitch between 5-15° (by others). Failure to do so will result in water pooling on the rooflight.

Title: Lite Double Glazed Fixed Rooflight - Lid Only (For Builders Upstand)			
System: Lite	Size: 1500mm x 1000mm	Type: Fixed	Ref: ST03
EOS Rooflights, The Beechwood Centre, 42-46 Lower Gravel Road, Bromley, Kent, BR2 8GP e:info@eosrooflights.co.uk w:www.eosrooflights.co.uk			



Scale:
1:4 @ A3

Date:
Jan 21

0
revision

This drawing is copyright and may not be reproduced either in part or full without written permission from EOS Rooflight's. DO NOT SCALE OFF THIS DRAWING