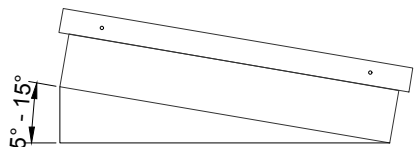
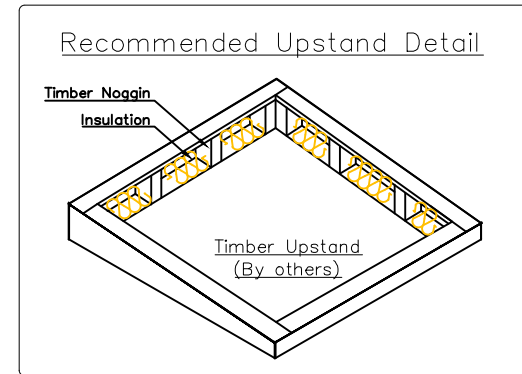
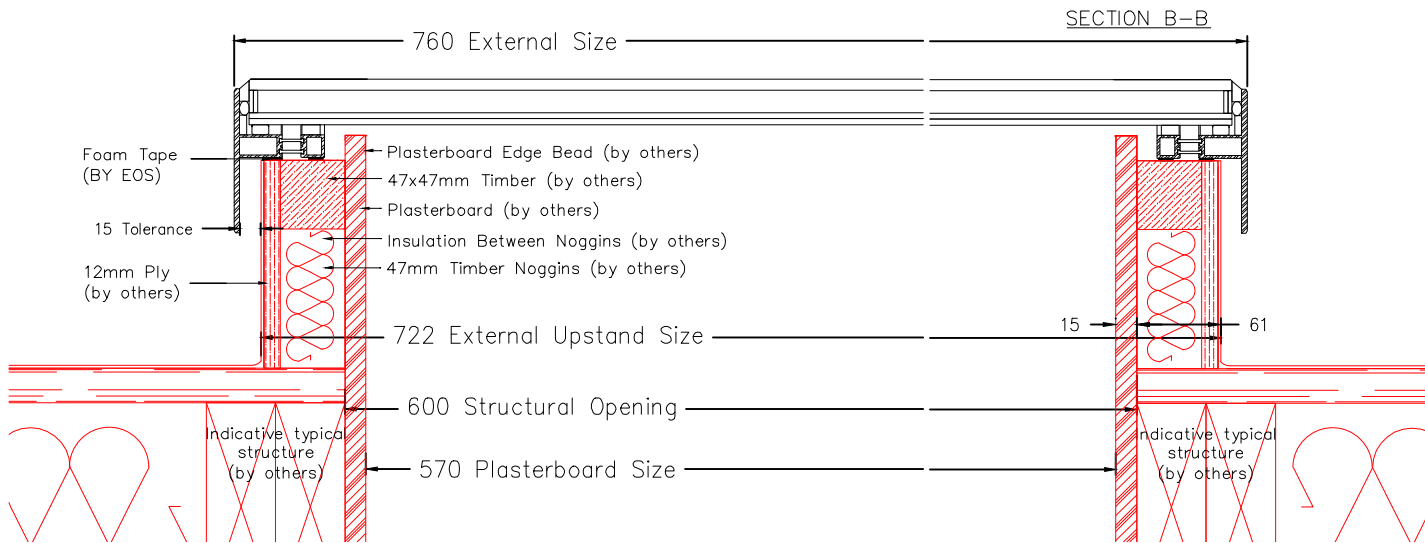
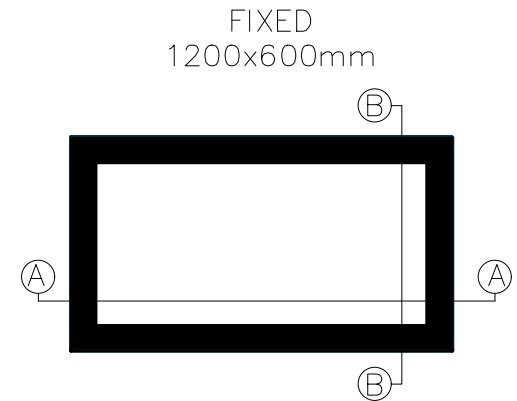
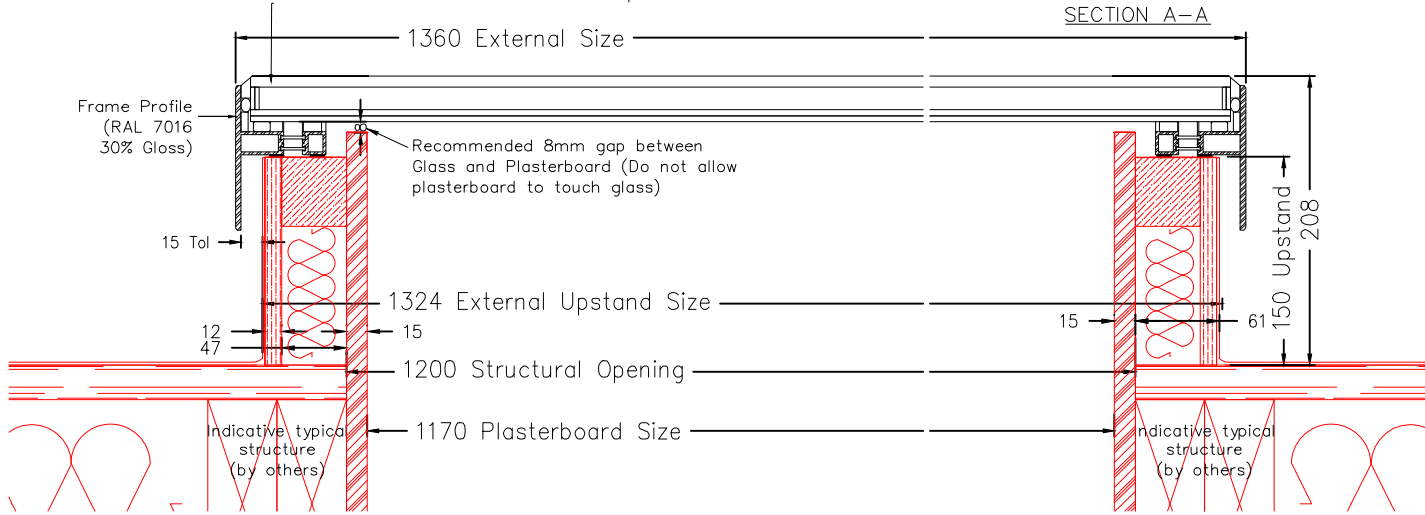


31mm double glazed unit comprising of:
 6mm clear toughened outer pane
 16mm Argon filled cavity
 8.8mm clear float laminated low 'e' inner pane



Rooflight must be installed on a roof pitch between 5-15° (by others). Failure to do so will result in water pooling on the rooflight.



Key:
 — by others
 — by EOS



Drawing Title:
 1200x600mm
 Fixed Rooflight

Scale:
 1: 4 @ A3

Drawing No.:
 F09

Date:
 Feb '20

0
 revision