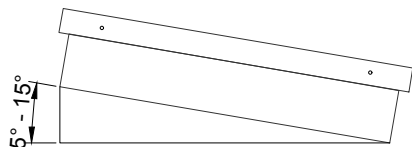
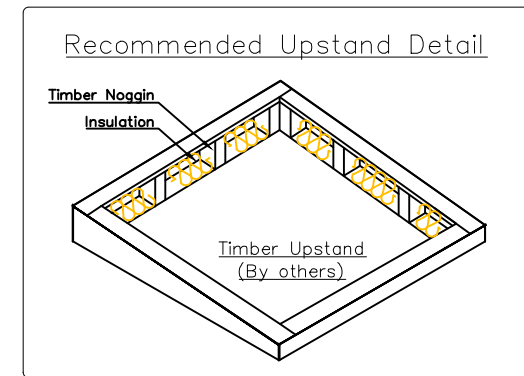
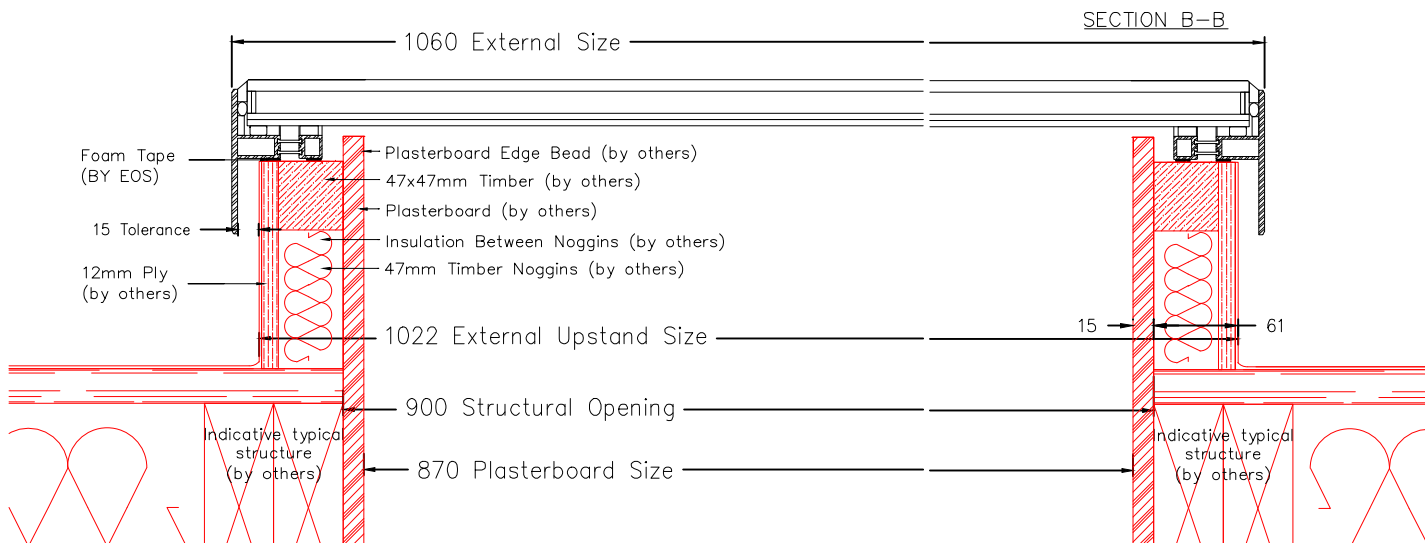
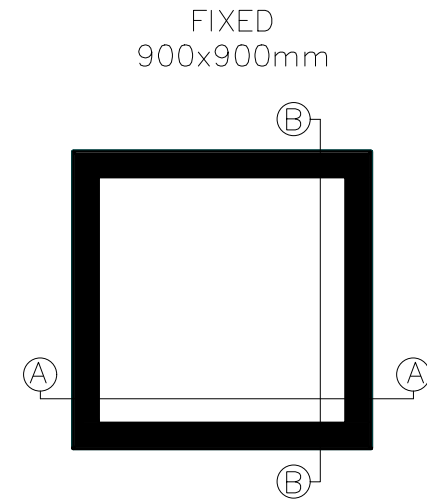
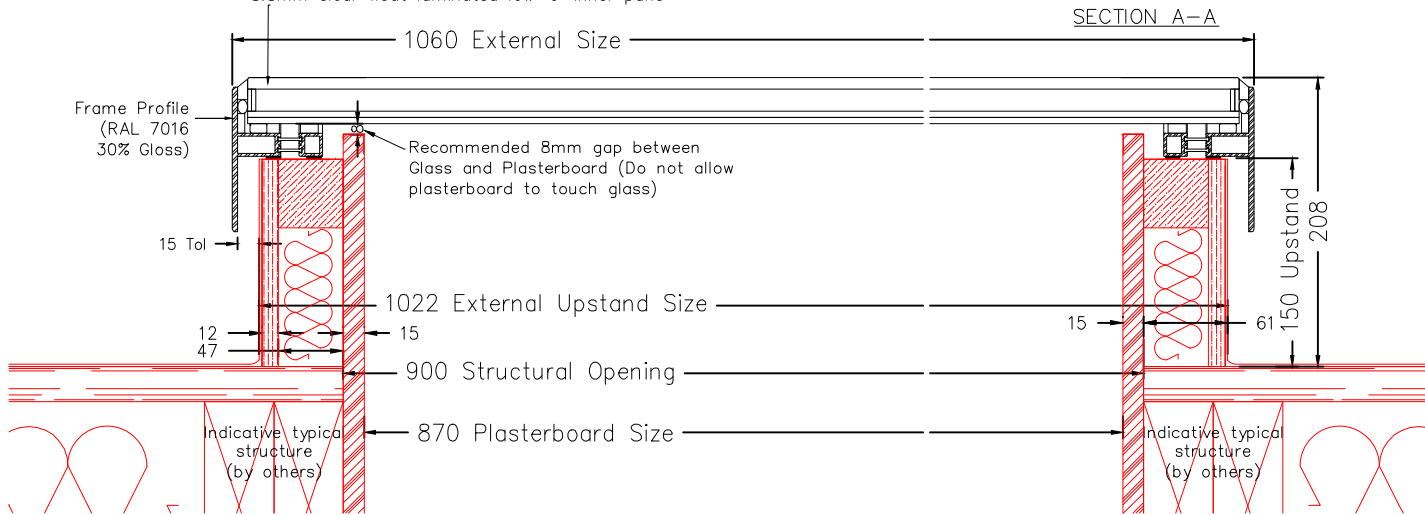


31mm double glazed unit comprising of:  
 6mm clear toughened outer pane  
 16mm Argon filled cavity  
 8.8mm clear float laminated low 'e' inner pane



Rooflight must be installed on a roof pitch between 5-15° (by others). Failure to do so will result in water pooling on the rooflight.



Key:  
 — by others  
 — by EOS



Drawing Title:  
900x900mm  
Fixed Rooflight

Scale:  
1: 4 @ A3

Drawing No.:  
F05

Date:  
Feb '20

revision  
0