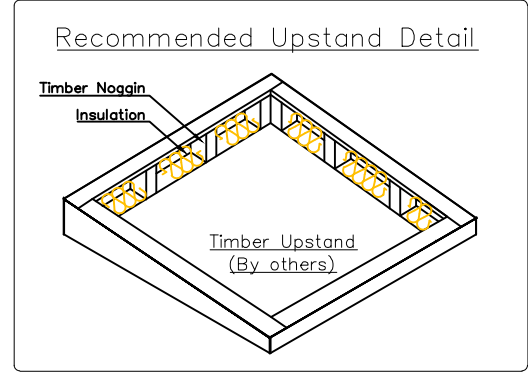
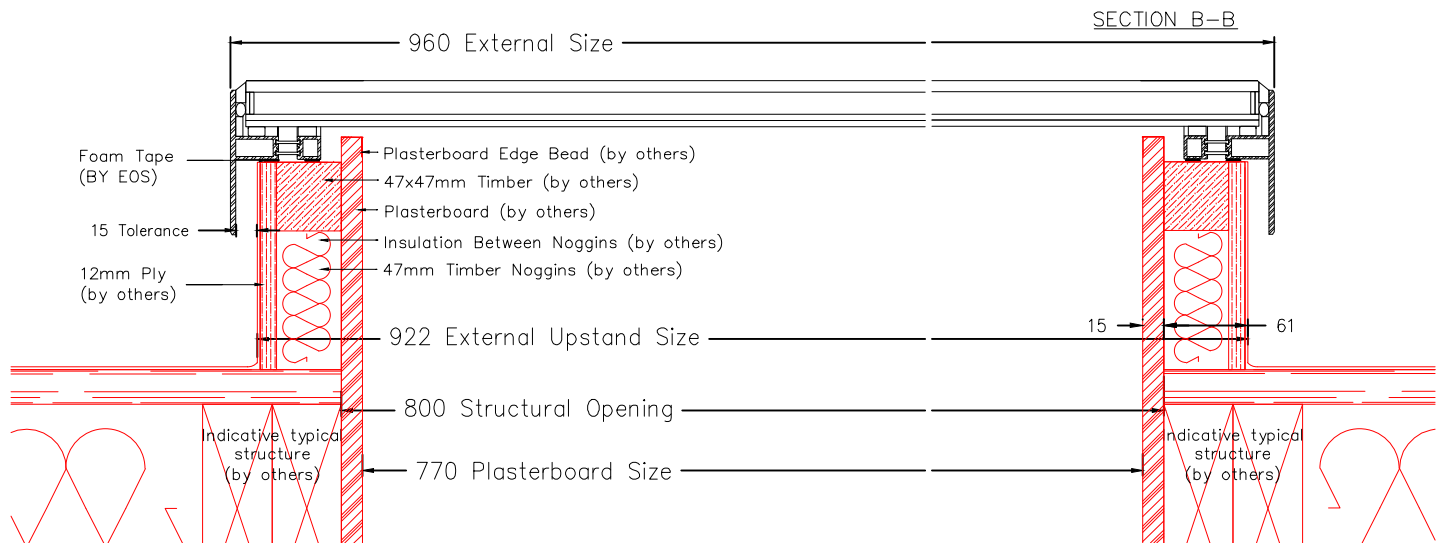
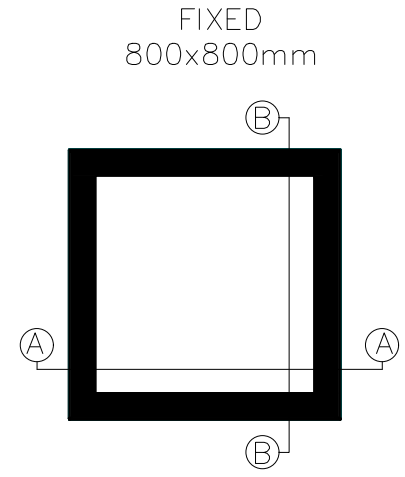
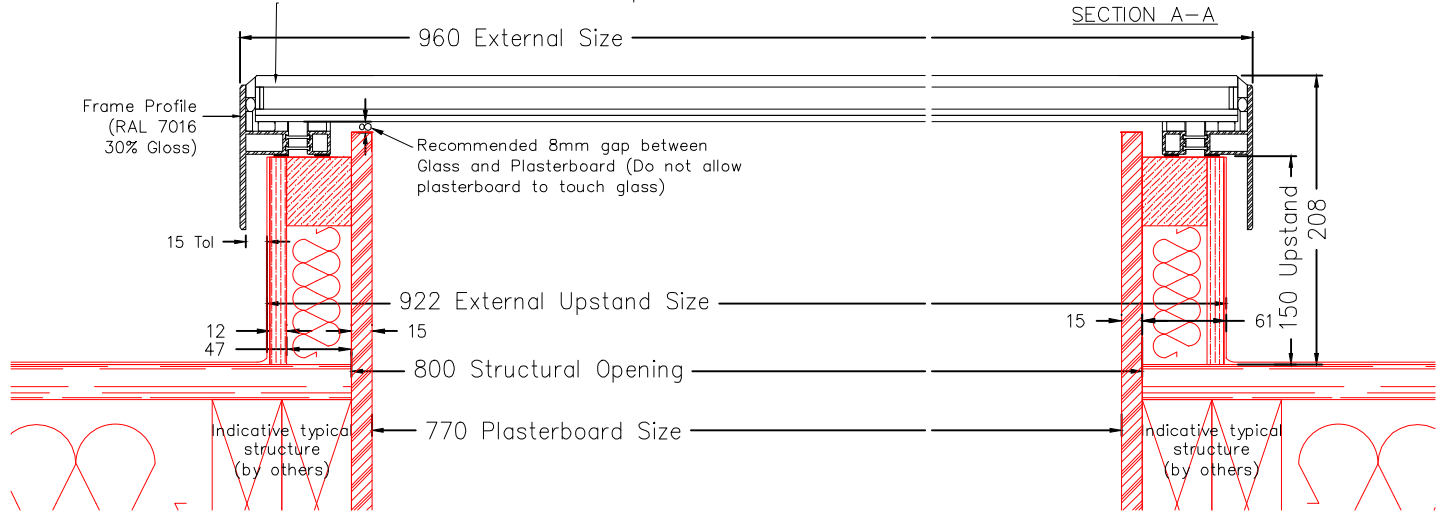


31mm double glazed unit comprising of:
 6mm clear toughened outer pane
 16mm Argon filled cavity
 8.8mm clear float laminated low 'e' inner pane



5° - 15°

Rooflight must be installed on a roof pitch between 5-15° (by others). Failure to do so will result in water pooling on the rooflight.

Key:
 — by others
 — by EOS



Drawing Title:
800x800mm
Fixed Rooflight

Scale:
1: 4 @ A3

Drawing No.:
F04

Date:
Feb '20

revision
0