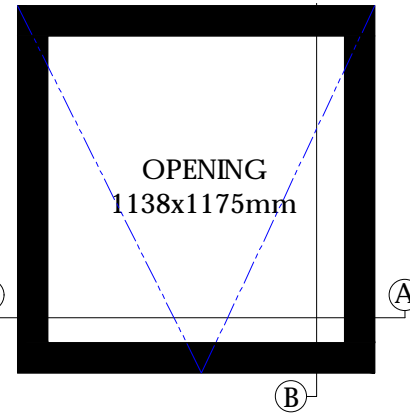
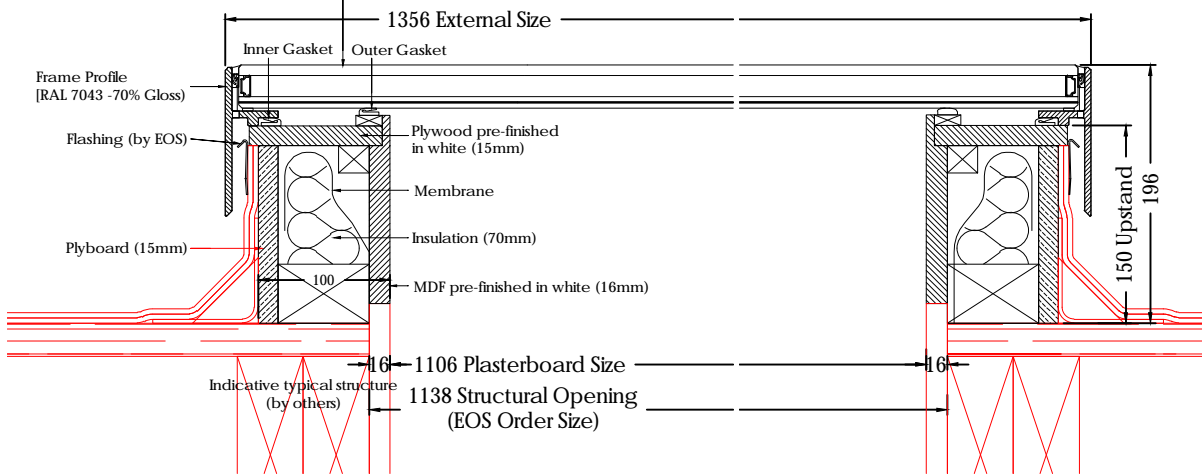


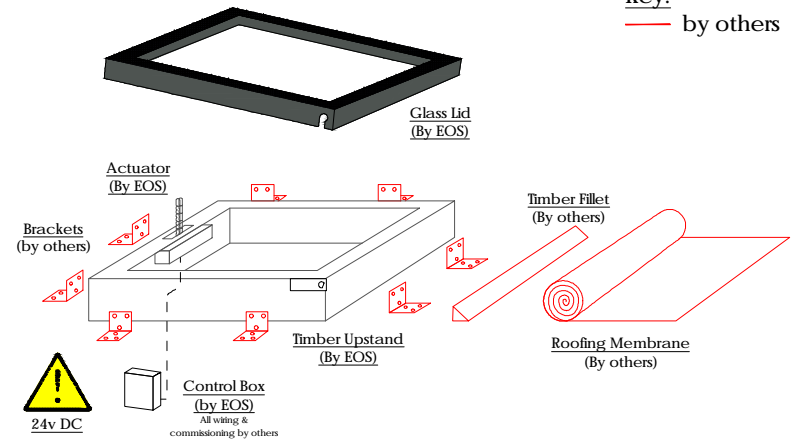
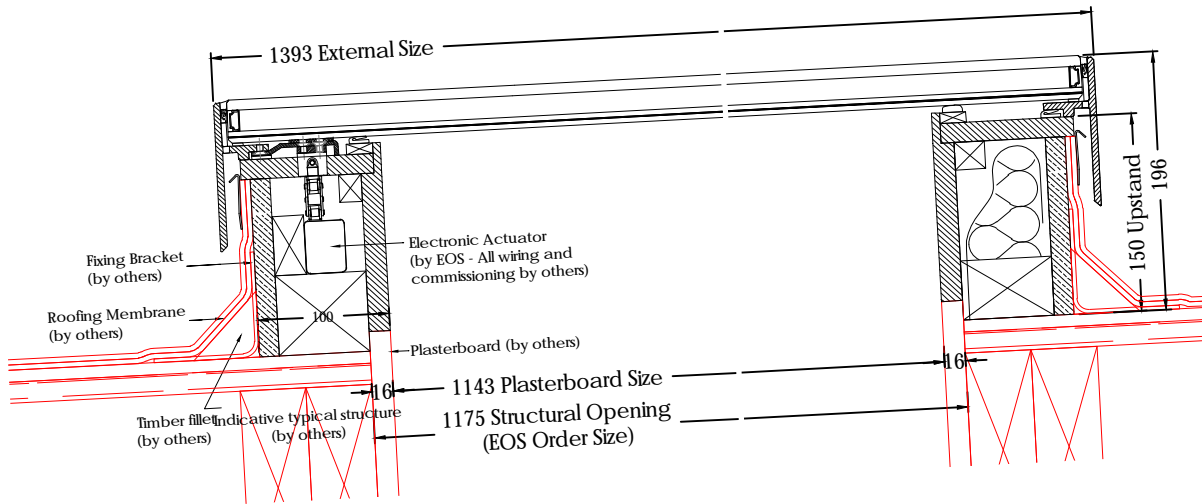
32mm double glazed unit comprising of:  
 8mm clear toughened outer pane  
 16mm Argon filled cavity  
 8.8mm clear float laminated low 'e' inner pane

SECTION A-A



**Installation Procedure**  
 (See specific installation sheet for more details)

**Key:**  
 — by others



Rooflight must be installed on a roof pitch between 3-30° (by others). Failure to do so will result in water pooling on the rooflight.

Drawing Title  
**1138x1175mm  
 Opening Rooflight**

scale 1:4 @ A3  
 drawing no. EOS-10  
 date JULY 19

0
revision

This drawing is copyright and may not be reproduced either in part or full without written permission from EOS Rooflights. DO NOT SCALE OFF THIS DRAWING