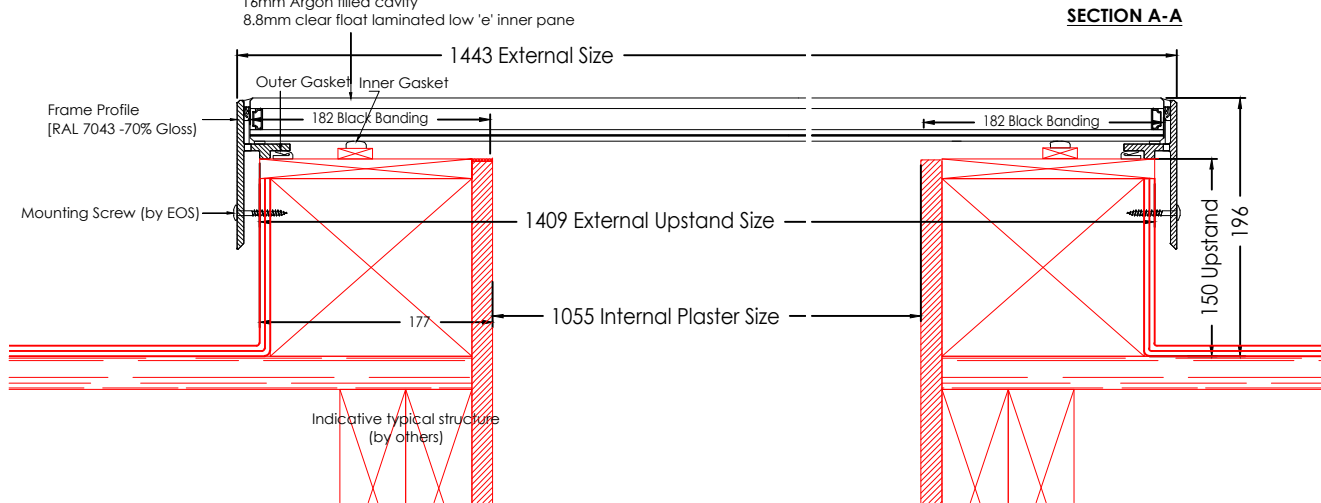




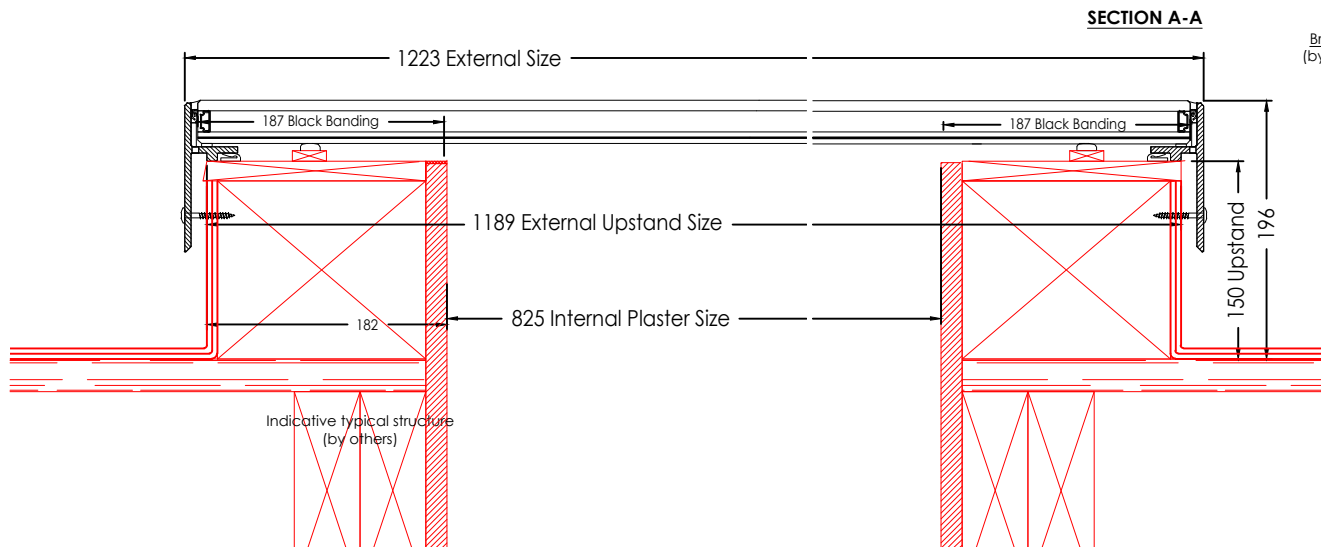
Rooflight must be installed on a roof pitch between 3-15° (by others). Failure to do so will result in water pooling on the rooflight.



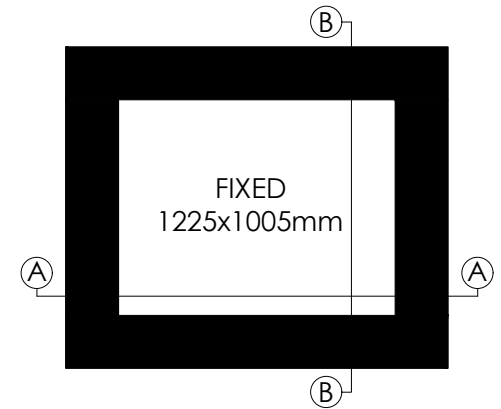
32mm double glazed unit comprising of:
 8mm clear toughened outer pane
 16mm Argon filled cavity
 8.8mm clear float laminated low 'e' inner pane



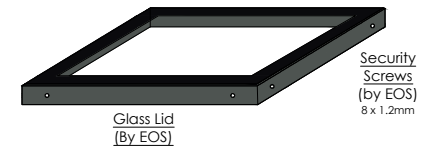
Indicative typical structure (by others)



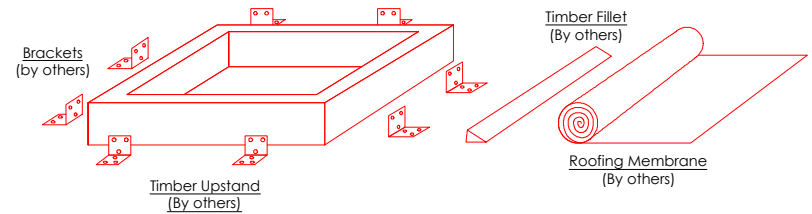
Indicative typical structure (by others)



Installation Procedure
 (See specific installation sheet for more details)



Key:
 — by others



Drawing Title
 1225x1005mm
 Fixed Rooflight
 scale 1:4 @ A3
 drawing no. S 6
 date 20.12.18

0
 revision

This drawing is copyright and may not be reproduced either in part or full without written permission from EOS Rooflights.
 DO NOT SCALE OFF THIS DRAWING