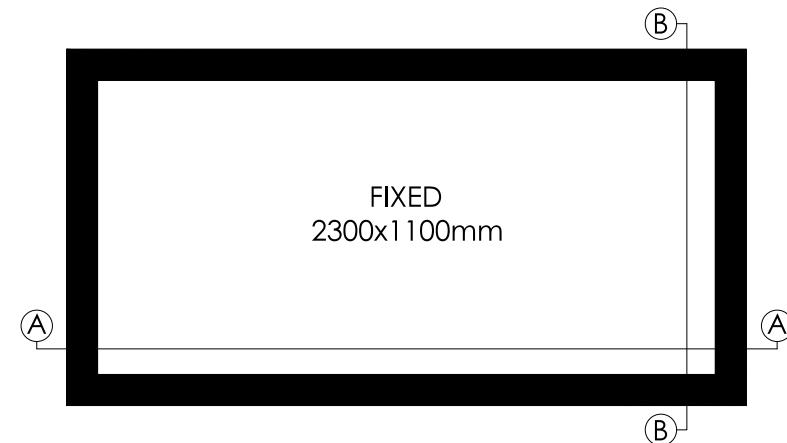
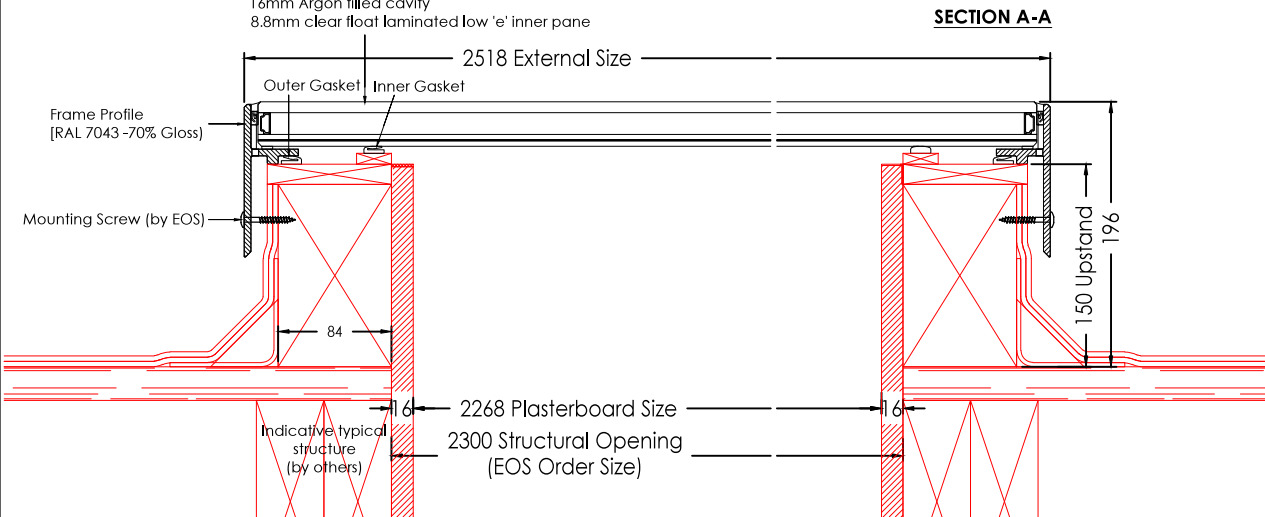
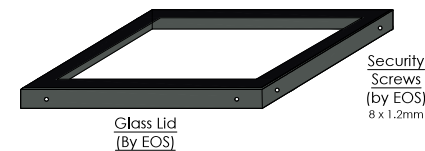
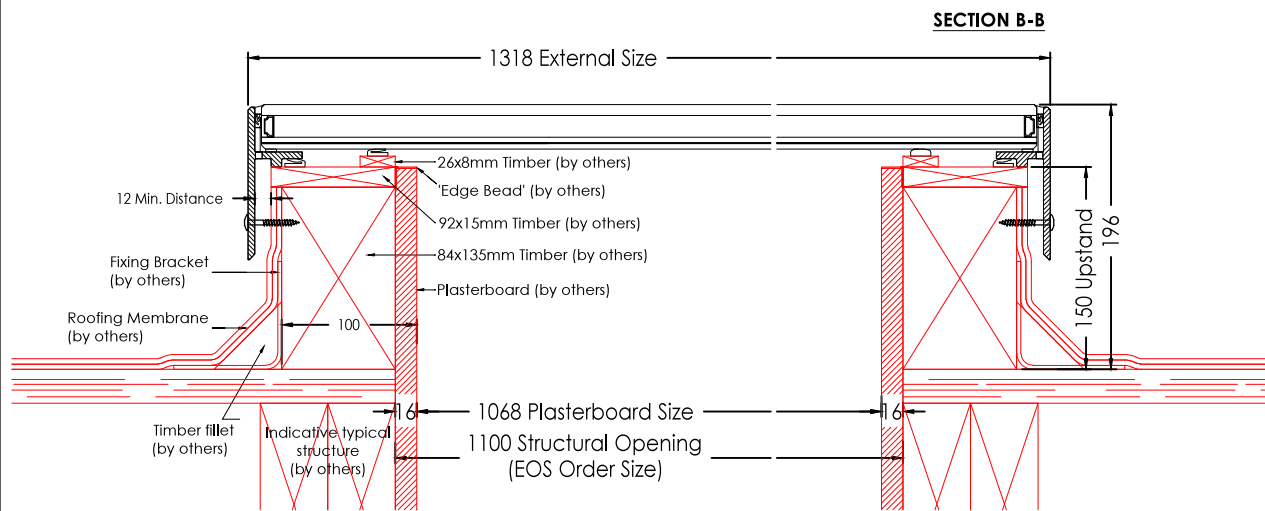


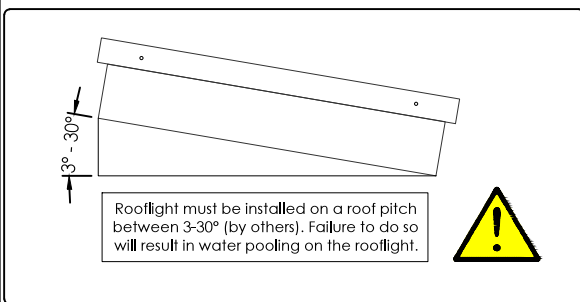
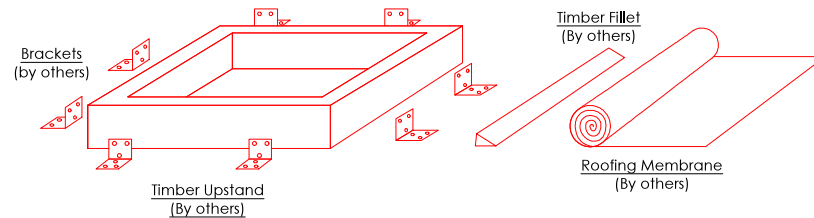
32mm double glazed unit comprising of:  
 8mm clear toughened outer pane  
 16mm Argon filled cavity  
 8.8mm clear float laminated low 'e' inner pane



Installation Procedure  
 (See specific installation sheet for more details)



Key:  
 — by others



Drawing Title  
 2300x1100mm  
 Fixed Rooflight  
 scale 1:4 @ A3  
 drawing no. S3  
 date 30.05.18

0  
 revision

This drawing is copyright and may not be reproduced either in part or full without written permission from EOS Rooflight.  
 DO NOT SCALE OFF THIS DRAWING