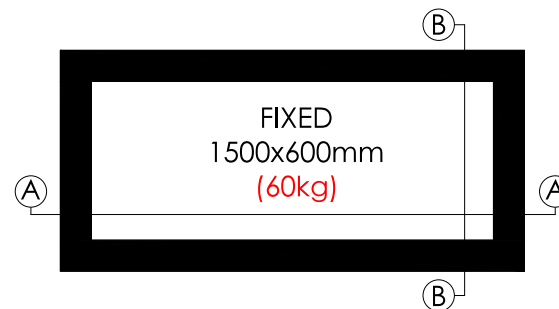
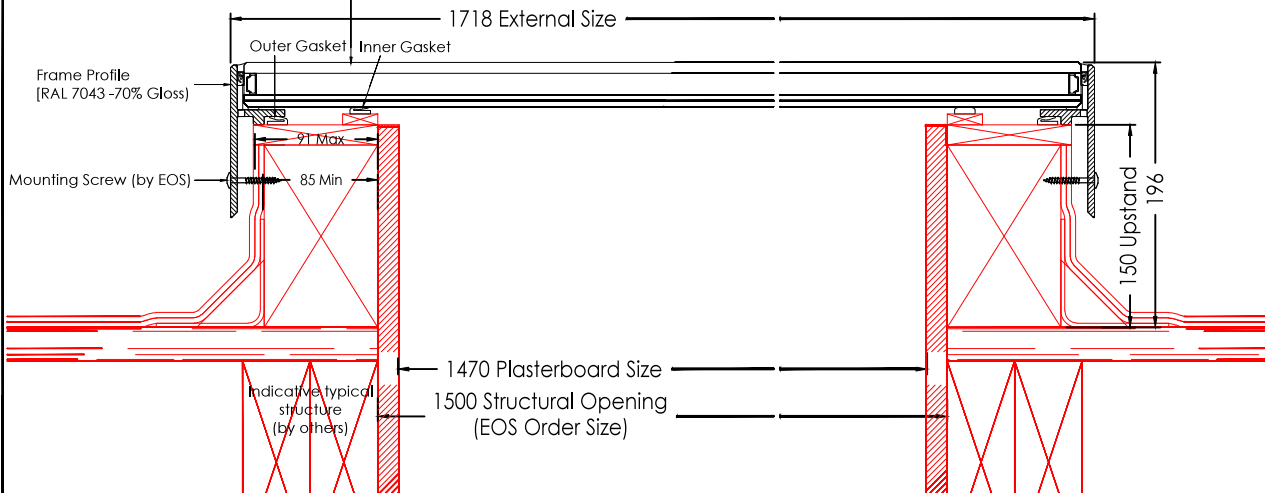


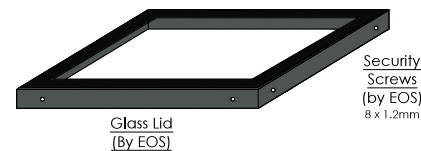
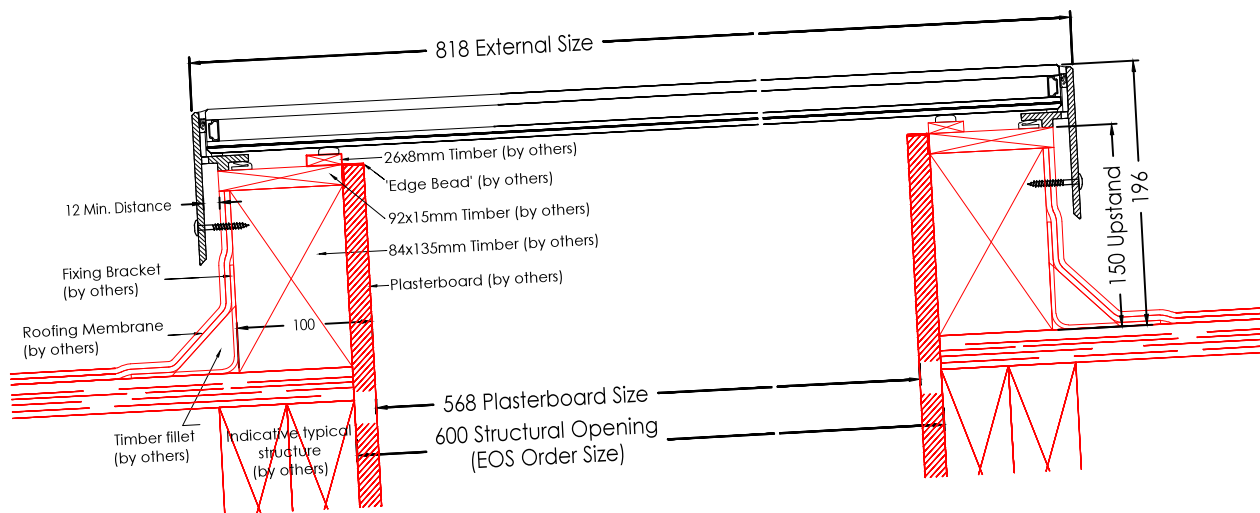
32mm double glazed unit comprising of:
 8mm clear toughened outer pane
 16mm Argon filled cavity
 8.8mm clear float laminated low 'e' inner pane

SECTION A-A

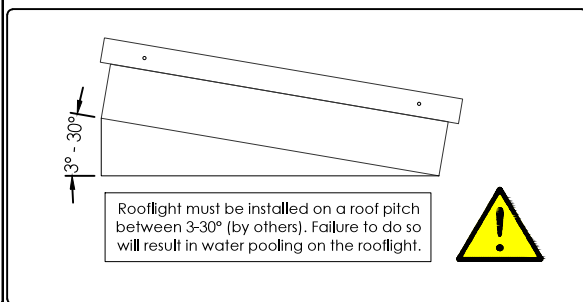
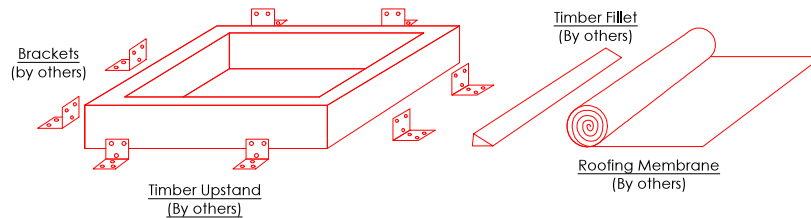


Installation Procedure
 (See specific installation sheet for more details)

SECTION B-B



Key:
 — by others



Drawing Title
**1500x600mm
 Fixed Rooflight**
 scale 1:4 @ A3
 drawing no. S2
 date Jan - 18

0
 revision

This drawing is copyright and may not be reproduced either in part or full without written permission from EOS Rooflight.
DO NOT SCALE OFF THIS DRAWING