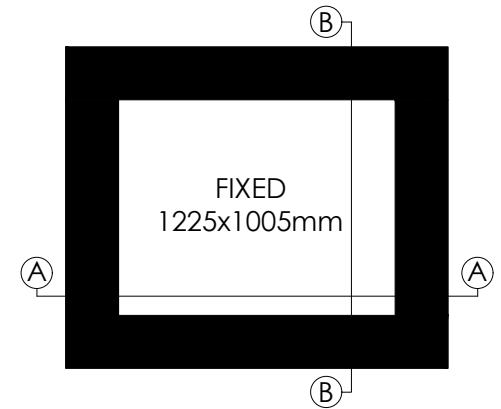
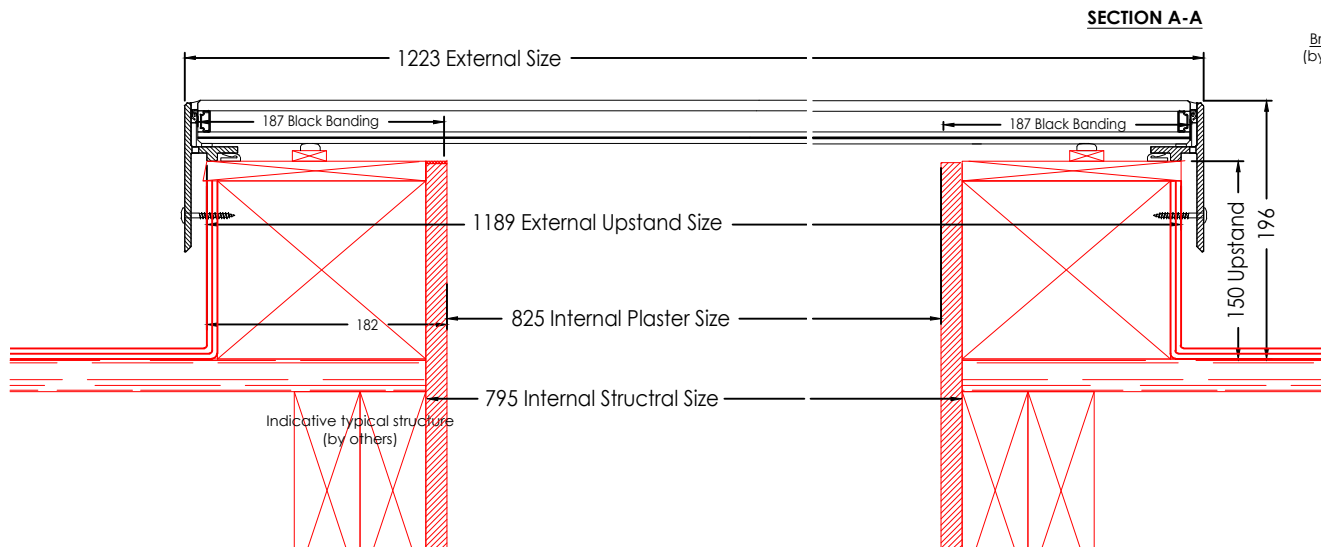
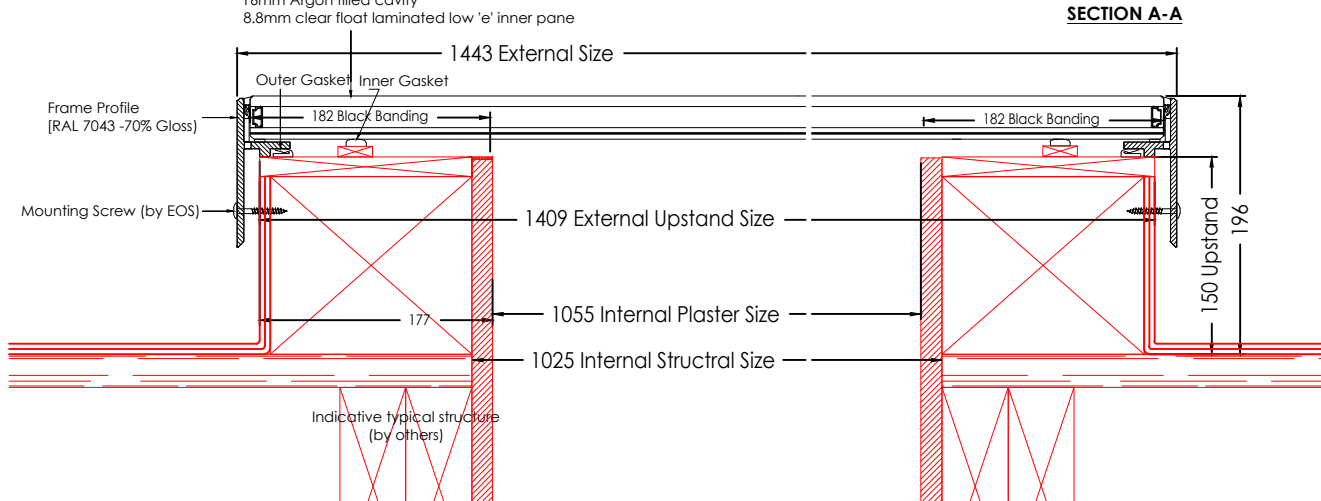


Rooflight must be installed on a roof pitch between 3-15° (by others). Failure to do so will result in water pooling on the rooflight.



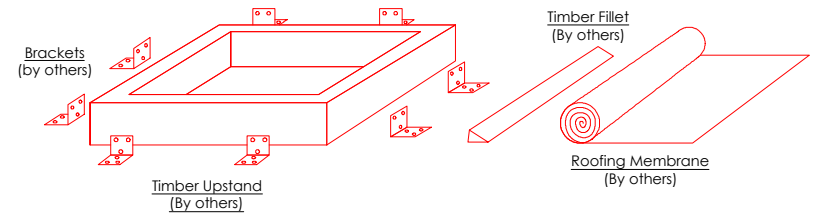
32mm double glazed unit comprising of:
 8mm clear toughened outer pane
 16mm Argon filled cavity
 8.8mm clear float laminated low 'e' inner pane



Installation Procedure
 (See specific installation sheet for more details)



Key:
 — by others



Drawing Title
 1225x1005mm
 Fixed Rooflight
 scale 1:4 @ A3
 drawing no. EOS-18
 date 20.12.18

0
 revision

This drawing is copyright and may not be reproduced either in part or full without written permission from EOS Rooflights.
DO NOT SCALE OFF THIS DRAWING