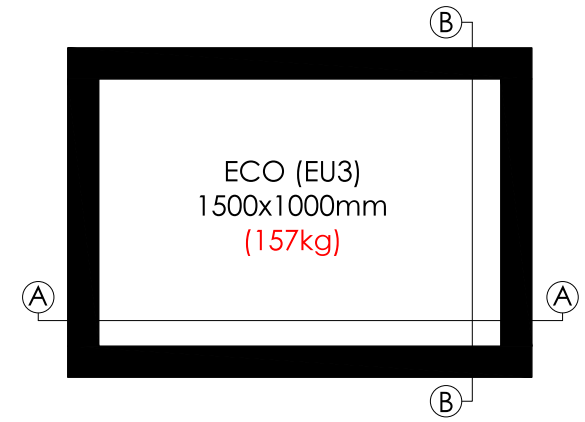
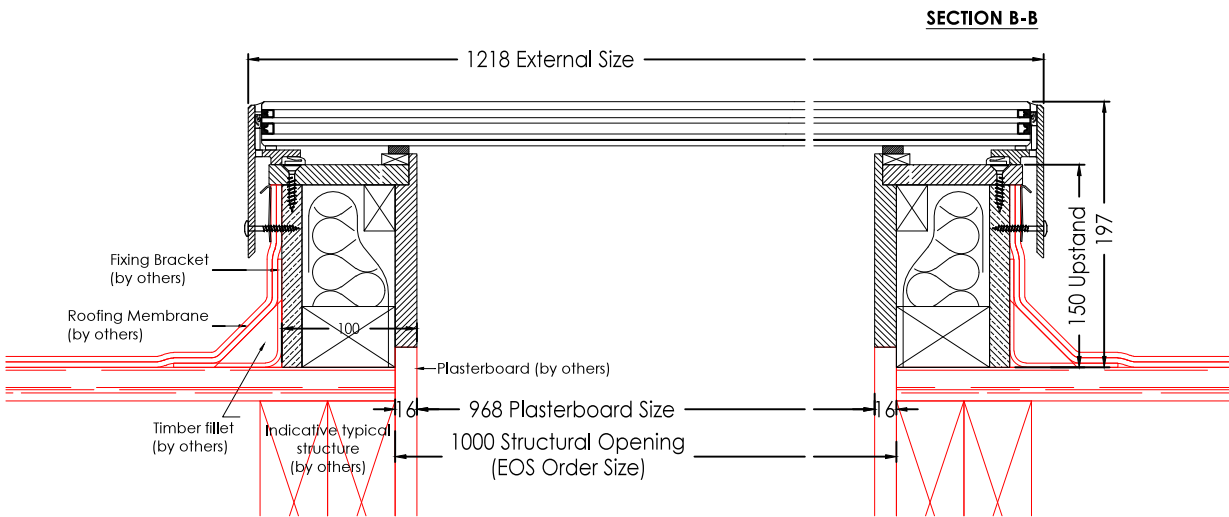
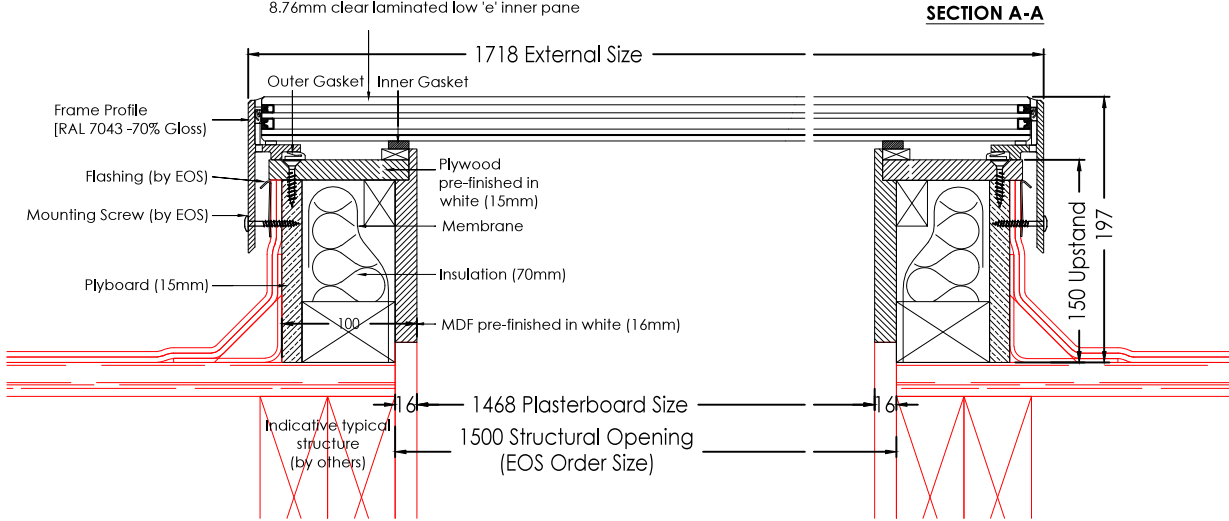
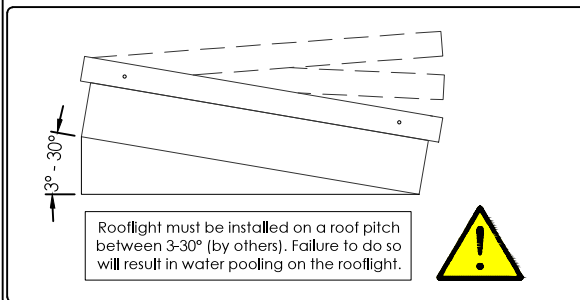
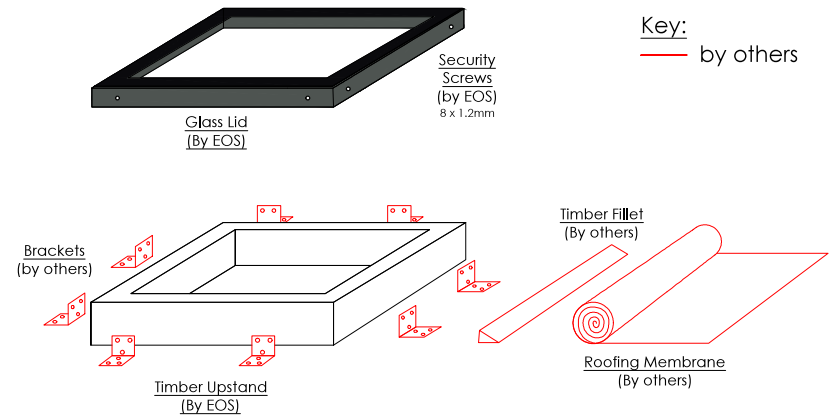


32mm triple glazed unit comprising of:  
 8mm clear toughened outer pane  
 6mm Krypton filled cavity  
 4mm clear toughened midpane  
 6mm Krypton filled cavity  
 8.76mm clear laminated low 'e' inner pane



**Installation Procedure**  
 (See specific installation sheet for more details)



Drawing Title  
 1500x1000mm (EU3)  
 ECO Rooflight + upstand  
 scale 1:4 @ A3  
 drawing no. EOS.EU3.004  
 date Aug '17

0	revision
---	----------

This drawing is copyright and may not be reproduced either in part or full without written permission from EOS Rooflights.  
**DO NOT SCALE OFF THIS DRAWING**