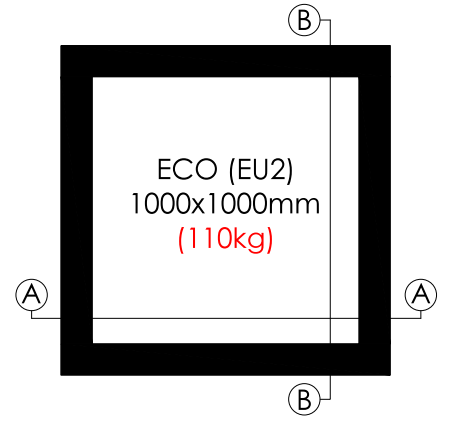
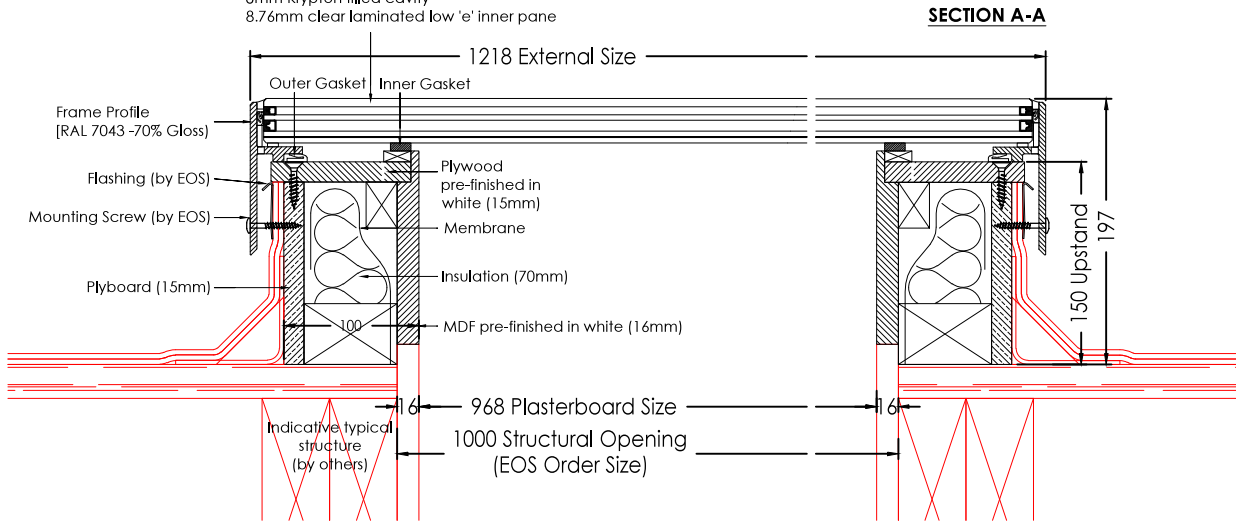
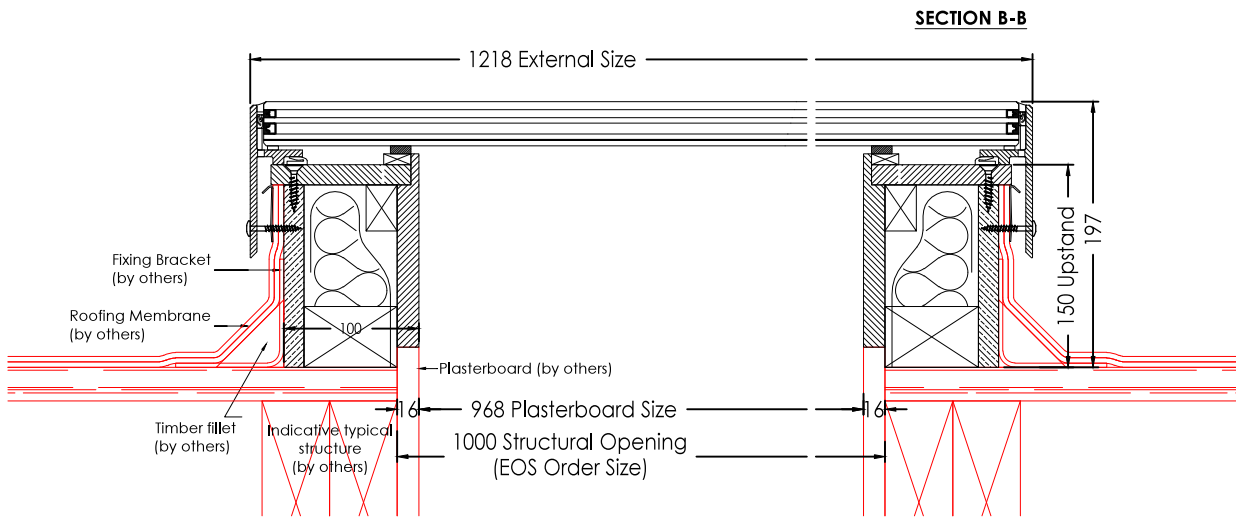


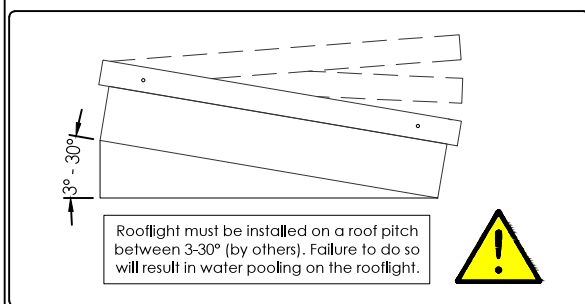
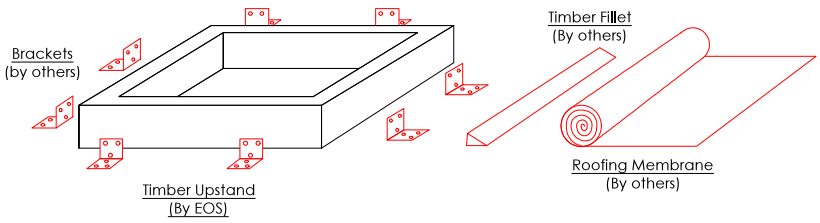
32mm triple glazed unit comprising of:
 8mm clear toughened outer pane
 6mm Krypton filled cavity
 4mm clear toughened midpane
 6mm Krypton filled cavity
 8.76mm clear laminated low 'e' inner pane



Installation Procedure
 (See specific installation sheet for more details)



Key:
 — by others



eos
 ROOFLIGHTS

Drawing Title
 1000x1000mm (EU2)
 ECO Rooflight + upstand

scale 1:4 @ A3
 drawing no. EOS.EU2.004
 date Aug '17

0
 revision

This drawing is copyright and may not be reproduced either in part or full without written permission from EOS Rooflight.
DO NOT SCALE OFF THIS DRAWING