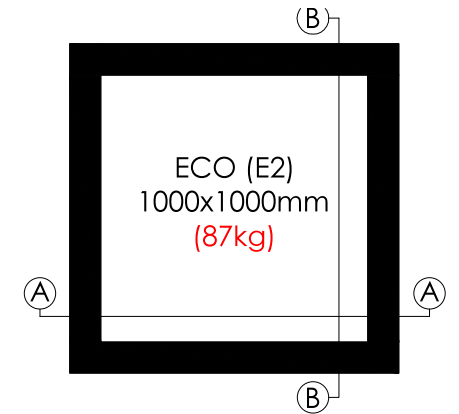
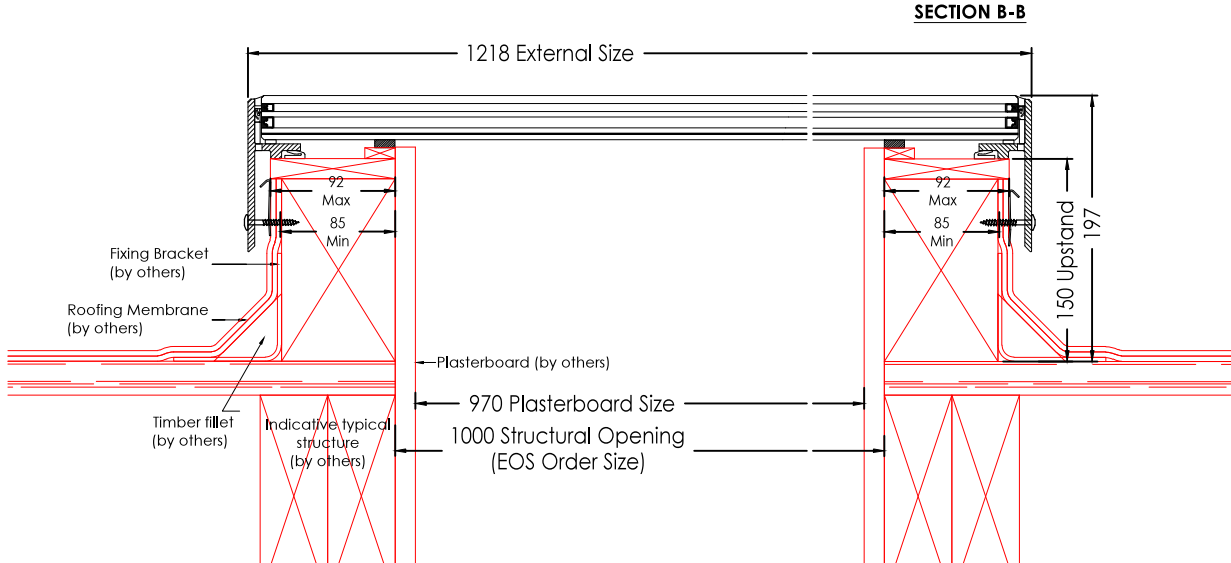
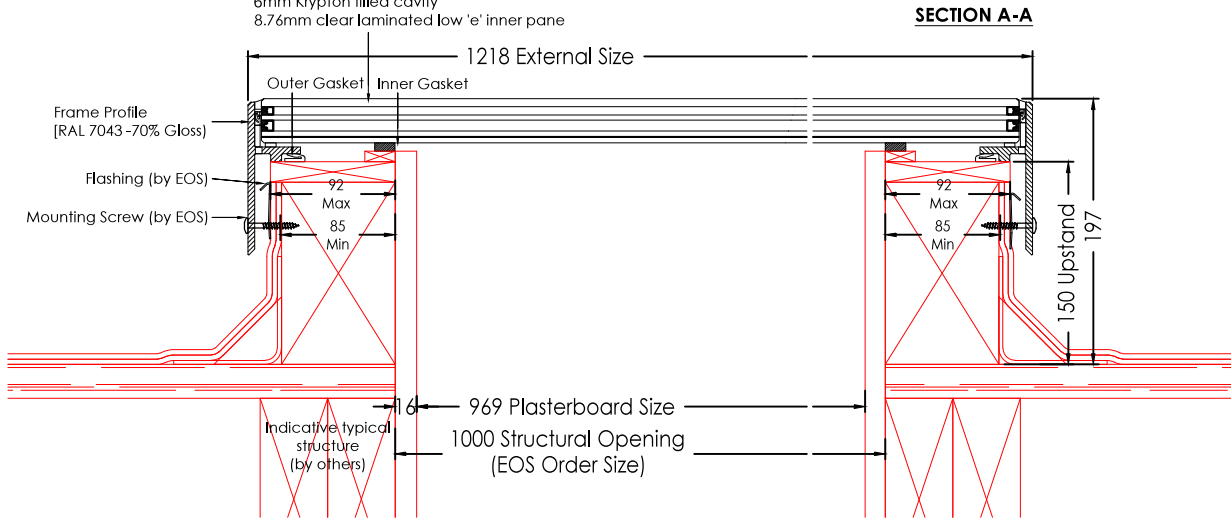


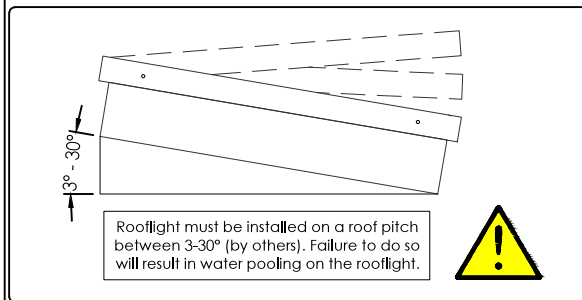
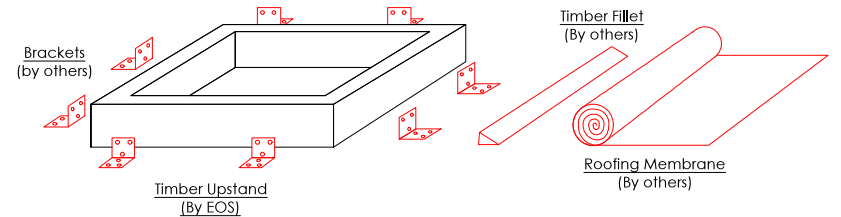
32mm triple glazed unit comprising of:  
 8mm clear toughened outer pane  
 6mm Krypton filled cavity  
 4mm clear toughened midpane  
 6mm Krypton filled cavity  
 8.76mm clear laminated low 'e' inner pane



**Installation Procedure**  
 (See specific installation sheet for more details)



**Key:**  
 — by others



Drawing Title  
**1000x1000mm (E2)  
 ECO Rooflight**  
 scale 1:4 @ A3  
 drawing no. EOS.E2.004  
 date Aug '17

0  
 revision