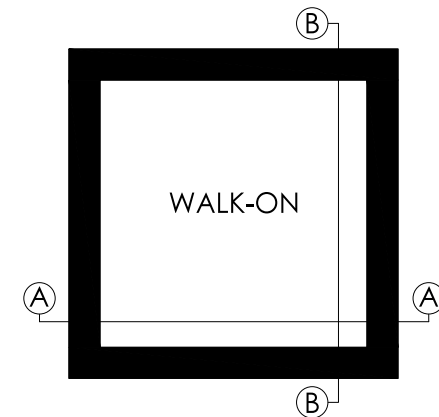
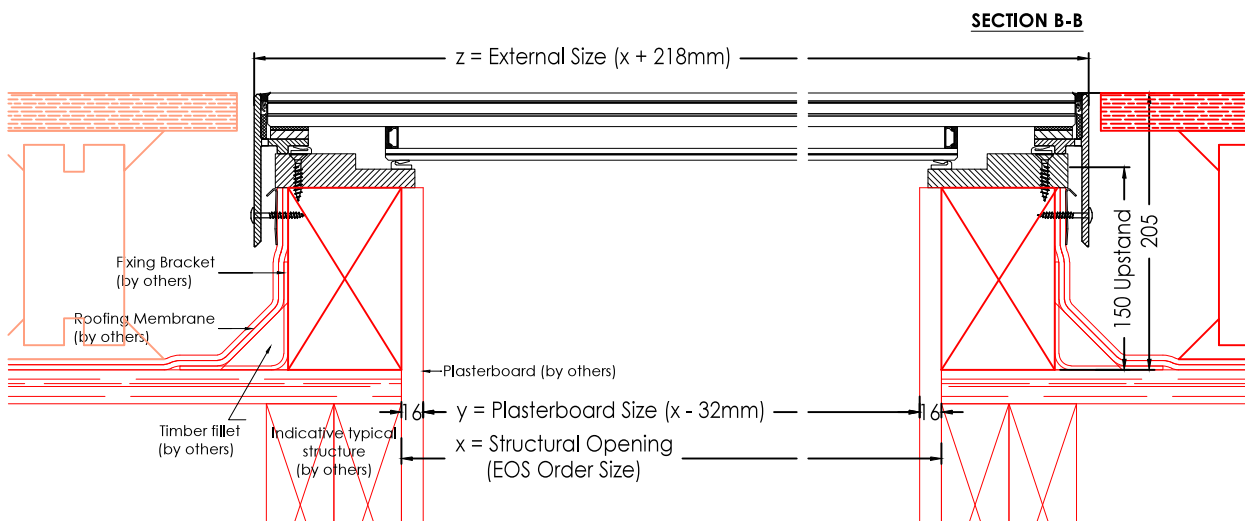
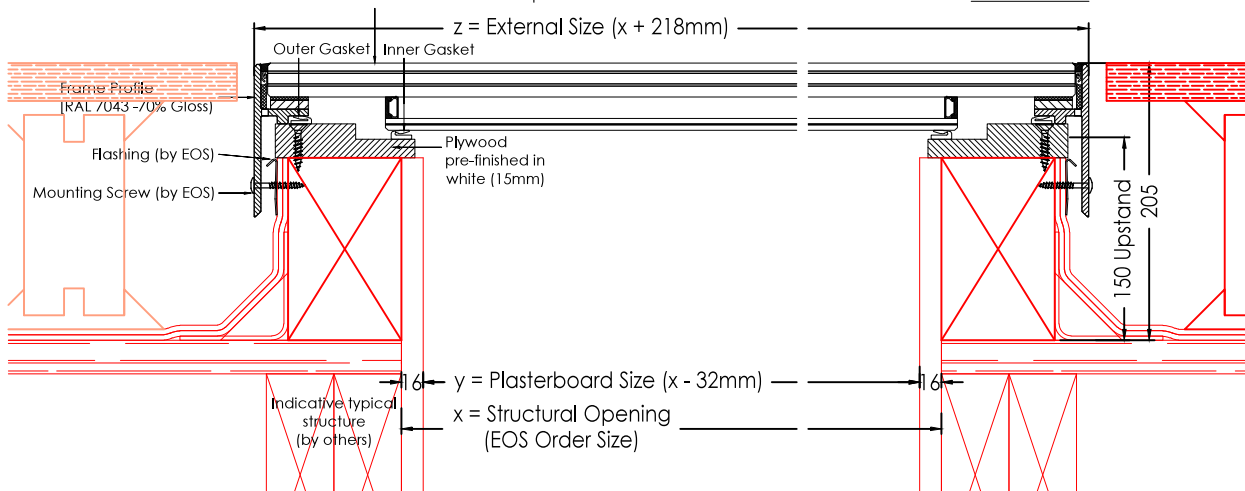
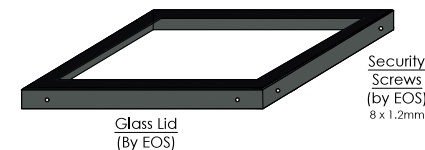


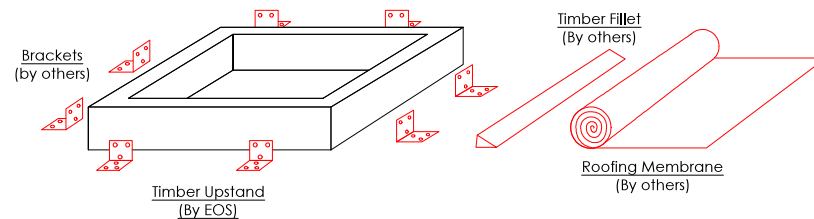
50mm double glazed unit comprising of:  
 25mm toughened & heat strengthened laminated outer pane  
 16mm argon filled cavity  
 8.76mm clear laminated low 'e' inner pane



**Installation Procedure**  
 (See specific installation sheet for more details)



**Key:**  
 — by others



Drawing Title	
Walk-On Rooflight Bespoke	
scale	1:4 @ A3
drawing no.	EOS.BES.005-1
date	Aug '13
revision	0