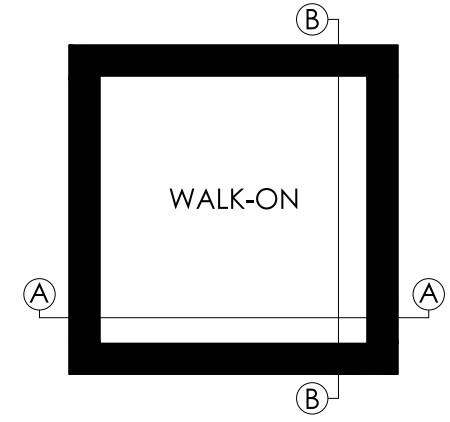
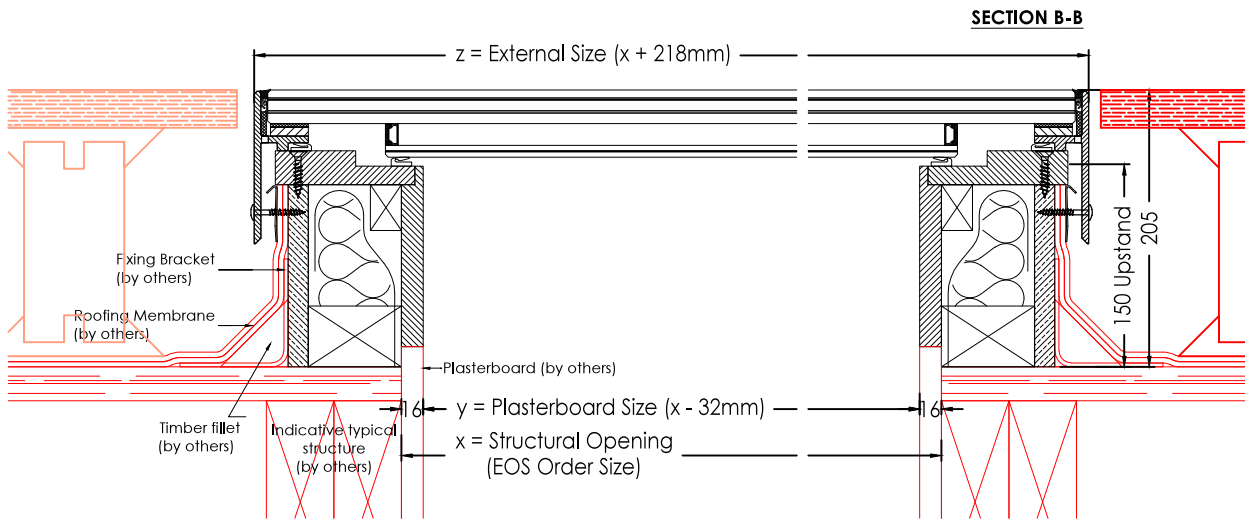
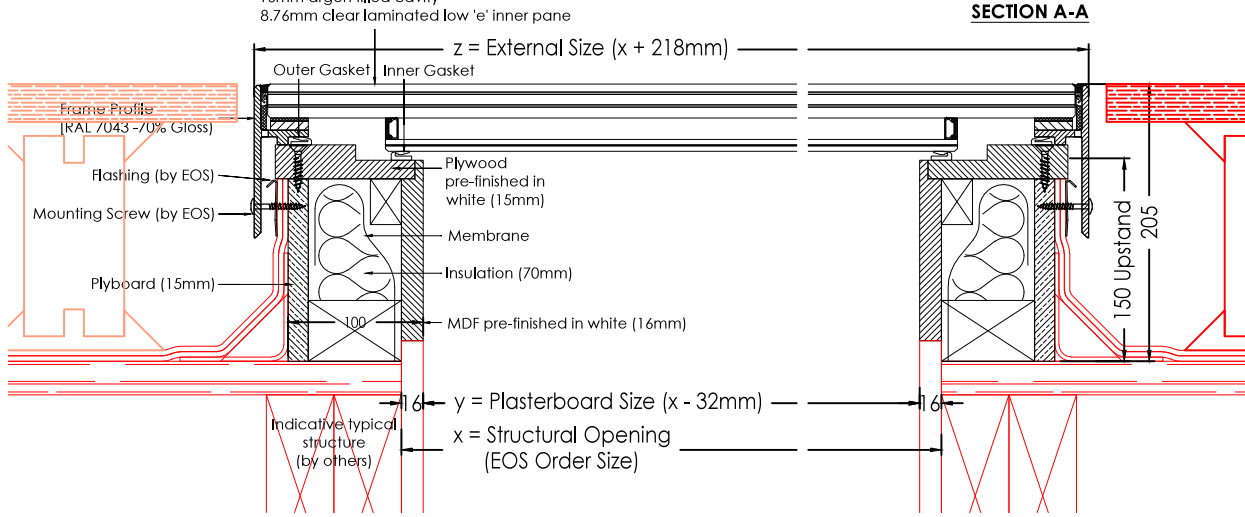
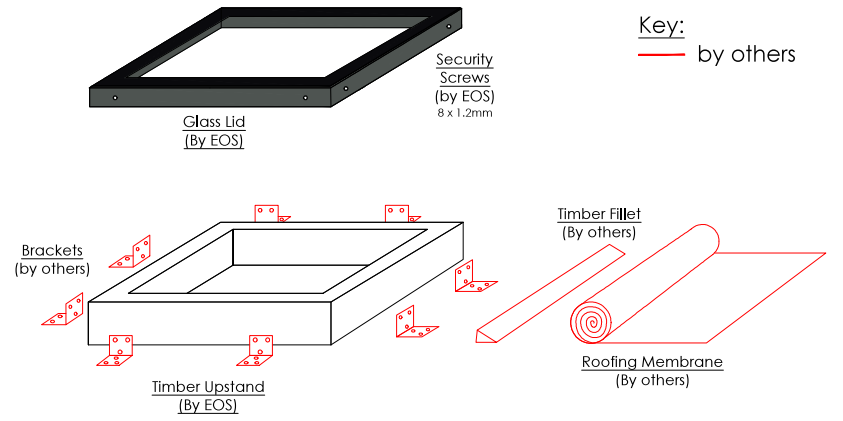


50mm double glazed unit comprising of:
 25mm toughened & heat strengthened laminated outer pane
 16mm argon filled cavity
 8.76mm clear laminated low 'e' inner pane



Installation Procedure
 (See specific installation sheet for more details)



Drawing Title	
Walk-On Rooflight Bespoke	
scale	1:4 @ A3
drawing no.	EOS.BES.005-1
date	Aug '13
revision	0

This drawing is copyright and may not be reproduced either in part or full without written permission from EOS Rooflight. **DO NOT SCALE OFF THIS DRAWING**