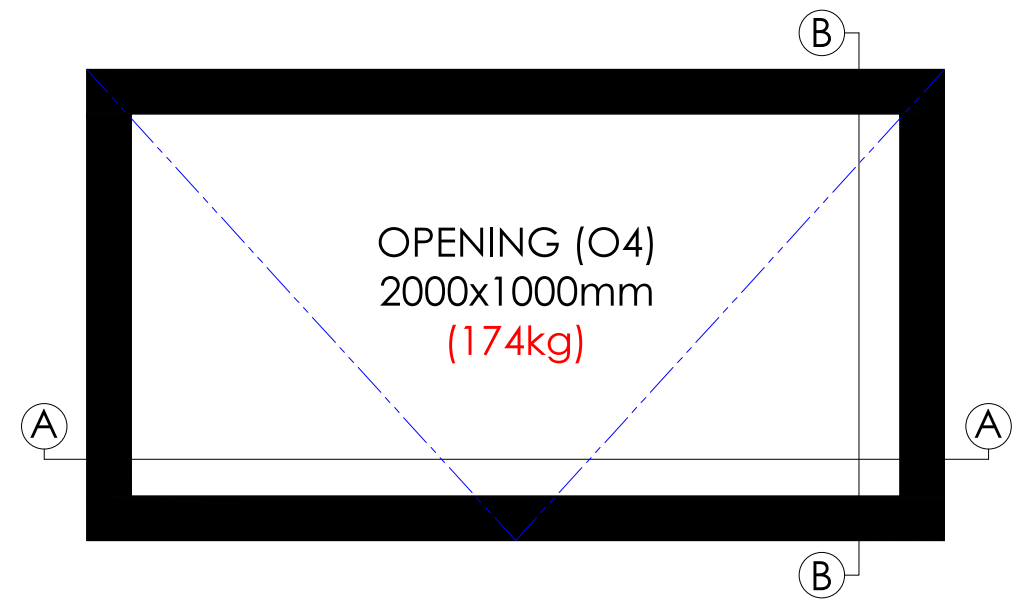
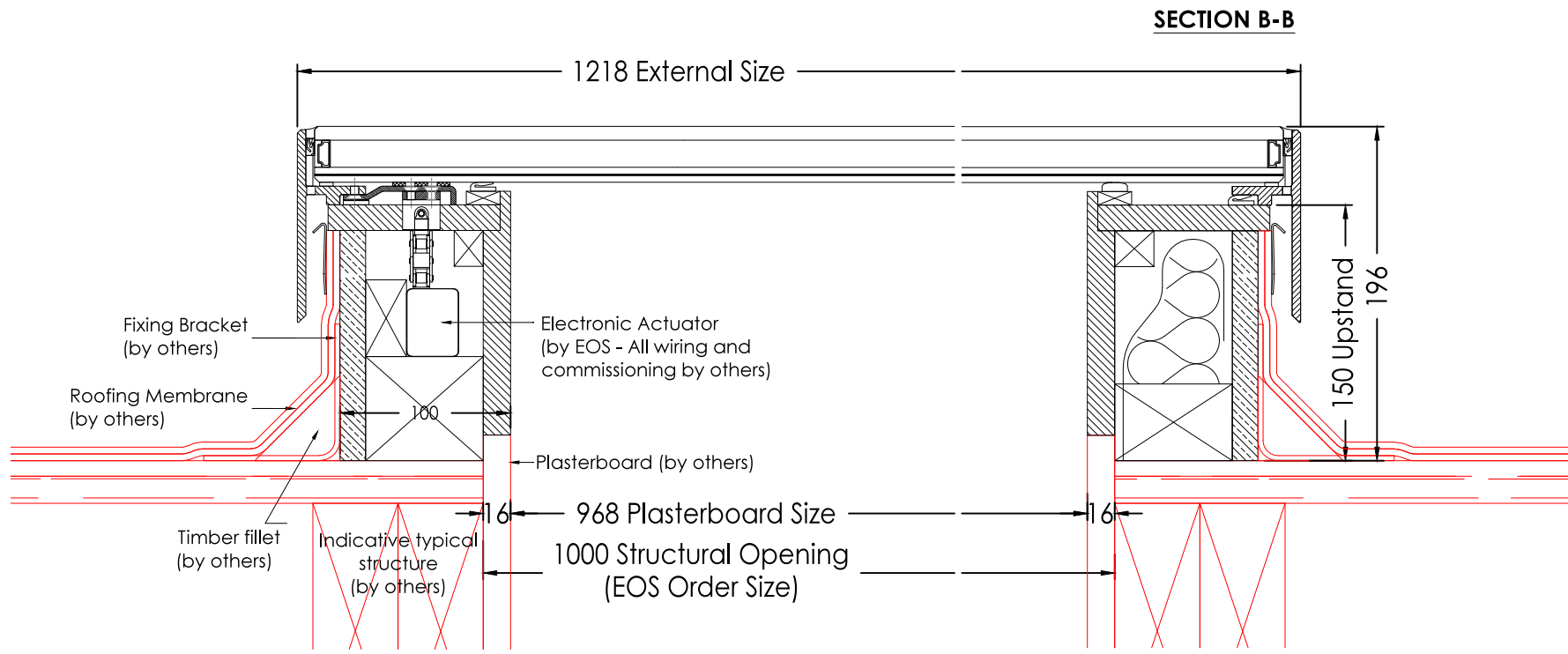
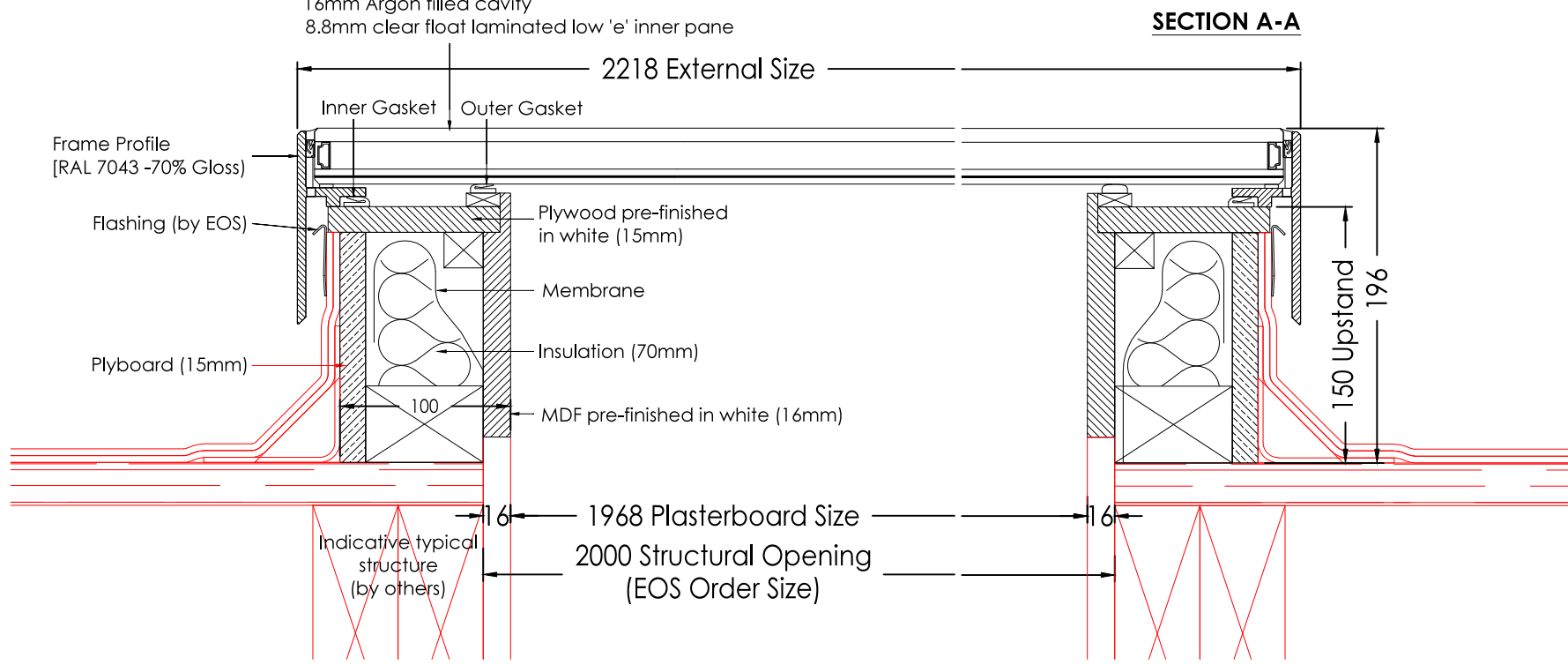
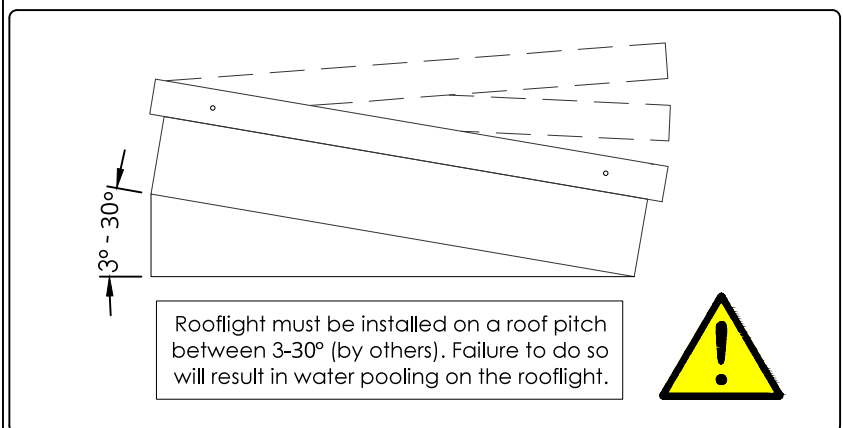
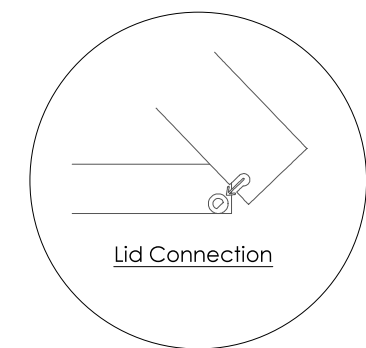
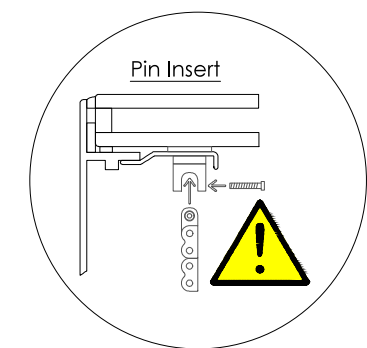
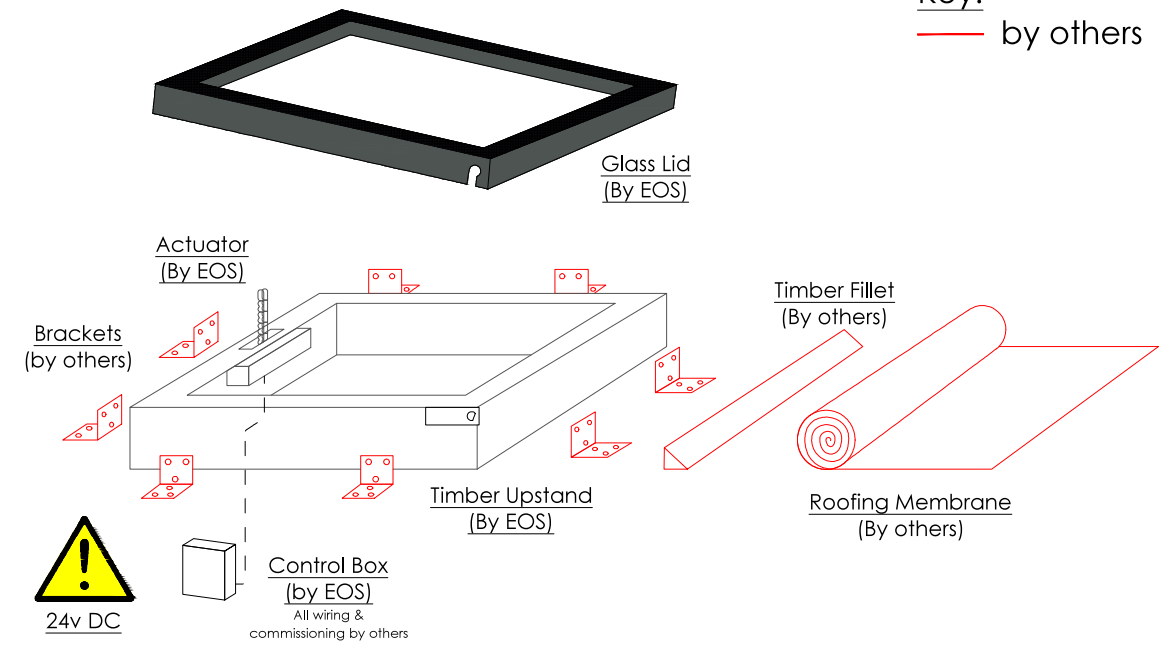


32mm double glazed unit comprising of:
 8mm clear toughened outer pane
 16mm Argon filled cavity
 8.8mm clear float laminated low 'e' inner pane



Installation Procedure
 (See specific installation sheet for more details)

Key:
 — by others



Drawing Title
 2000x1000mm (O4)
 Opening Rooflight

scale 1:4 @ A3

drawing no. EOS.O4.003

date Aug '13

revision **0**

This drawing is copyright and may not be reproduced either in part or full without written permission from EOS Rooflight's. DO NOT SCALE OFF THIS DRAWING