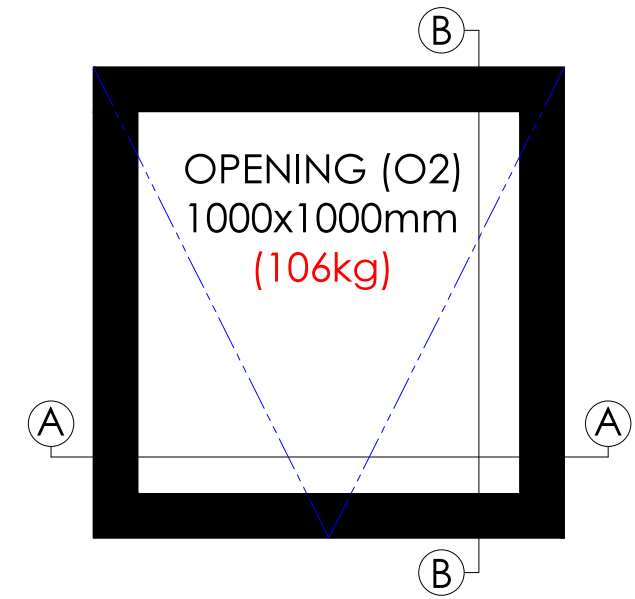
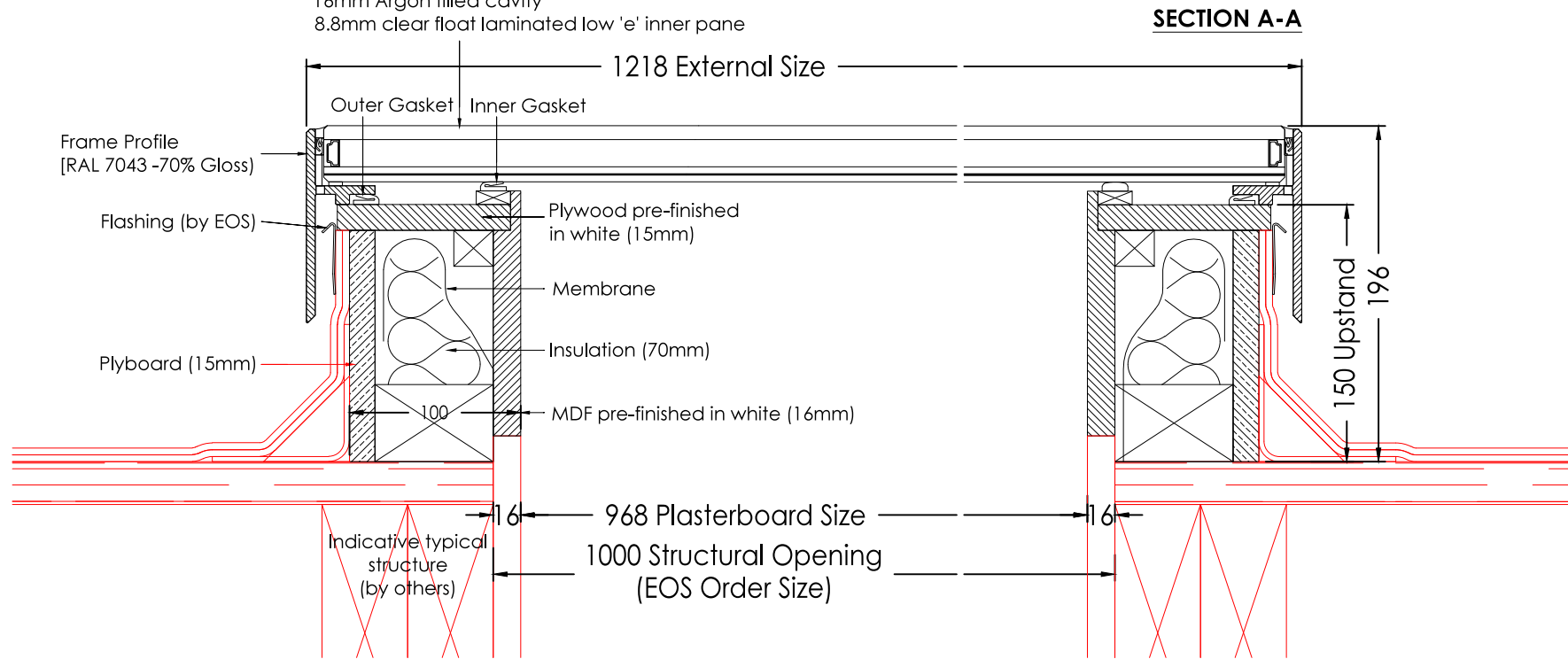
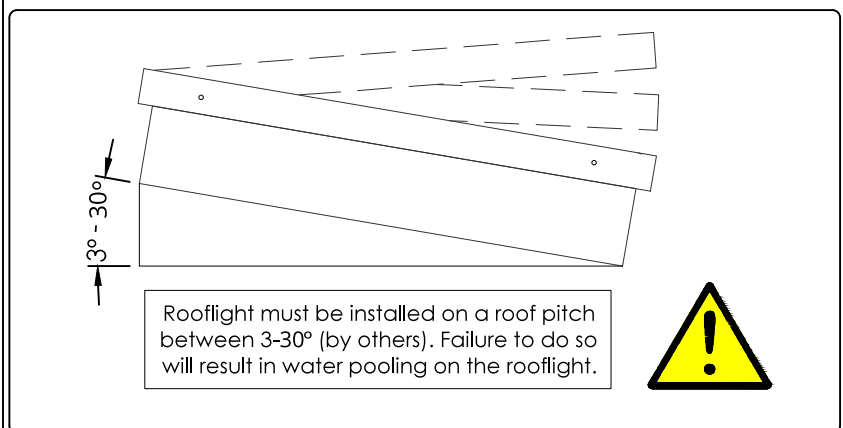
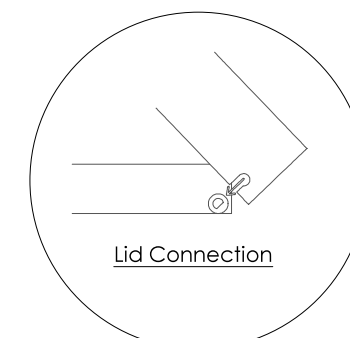
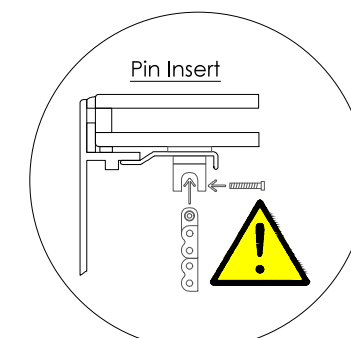
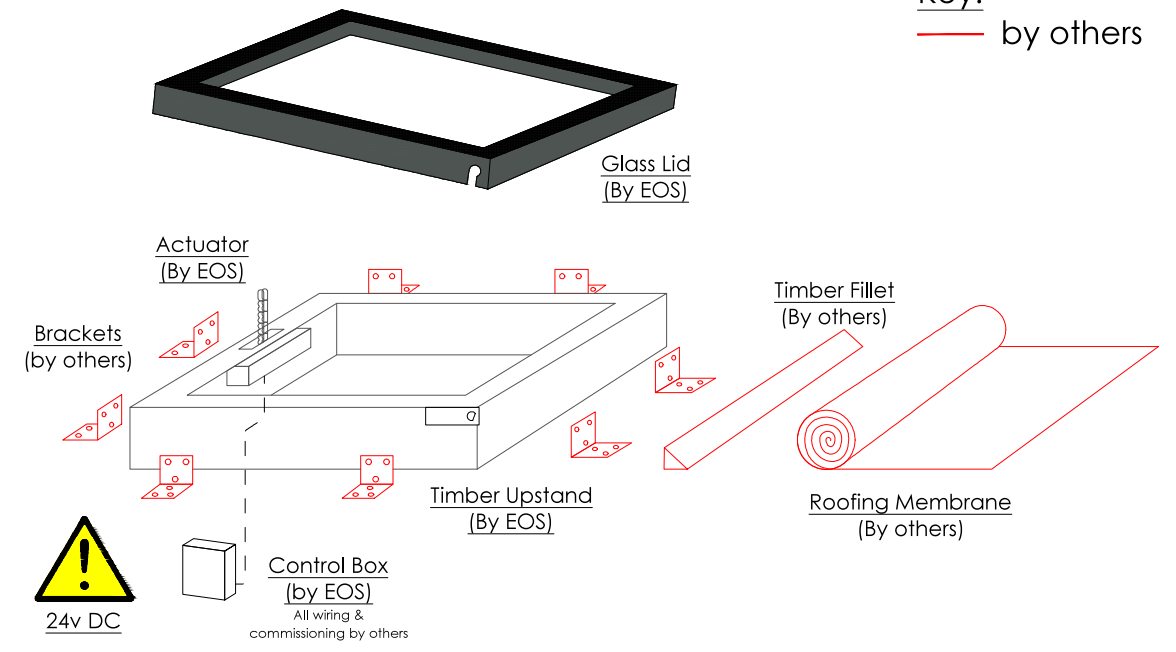
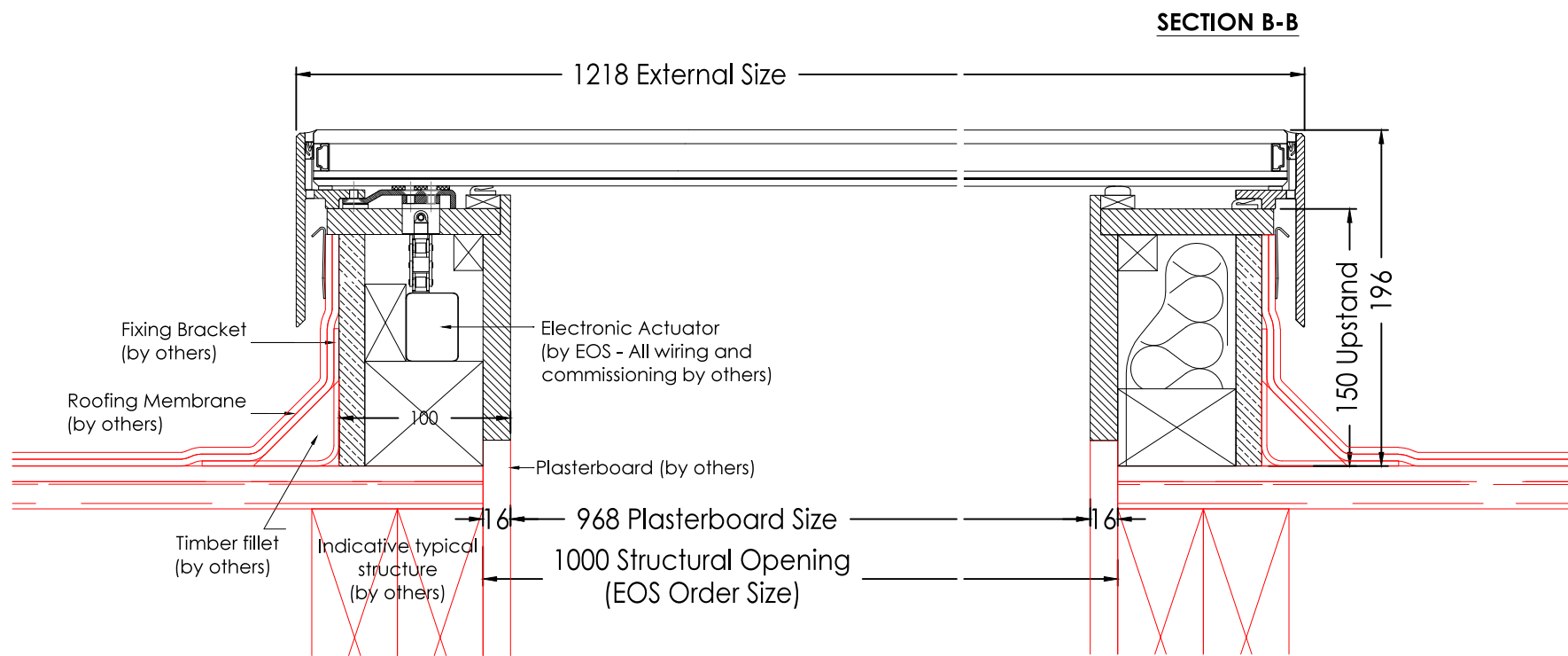


32mm double glazed unit comprising of:  
 8mm clear toughened outer pane  
 16mm Argon filled cavity  
 8.8mm clear float laminated low 'e' inner pane



**Installation Procedure**  
 (See specific installation sheet for more details)

**Key:**  
 — by others



Drawing Title	
1000x1000mm (O2) Opening Rooflight	
scale	1:4 @ A3
drawing no.	EOS.O2.003
date	Aug '13
0 revision	