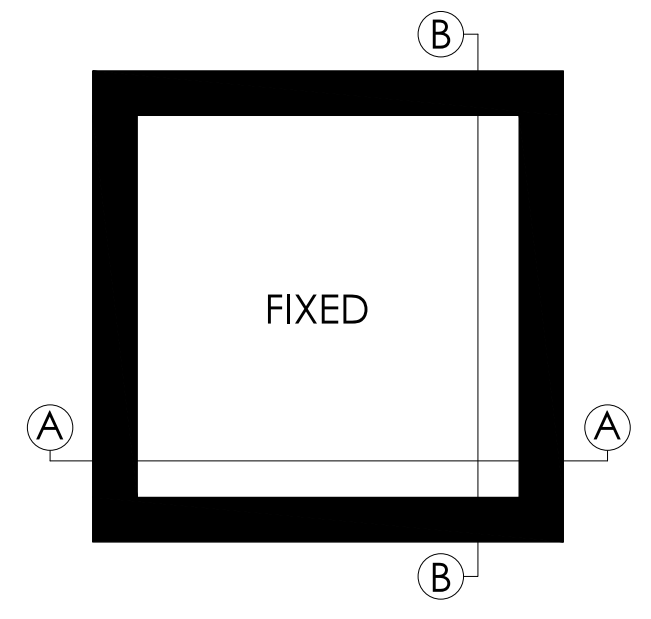
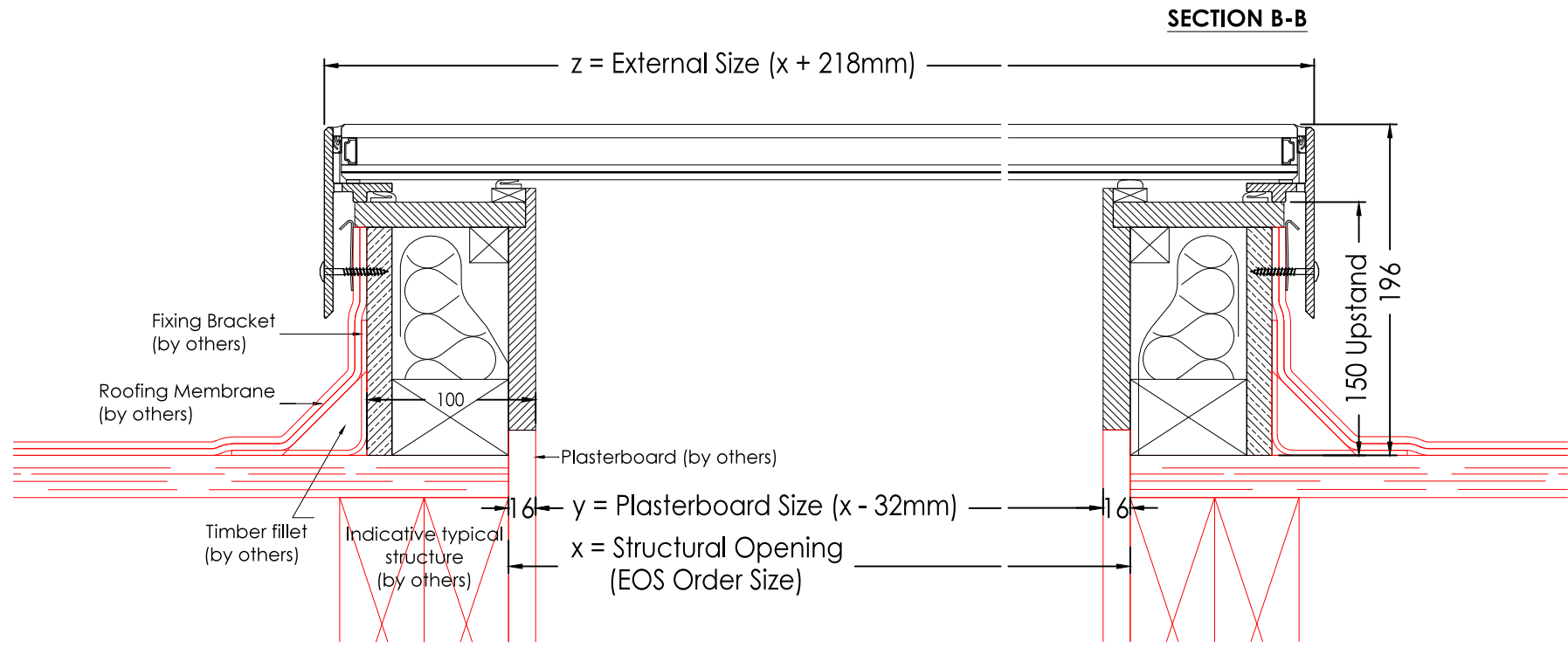
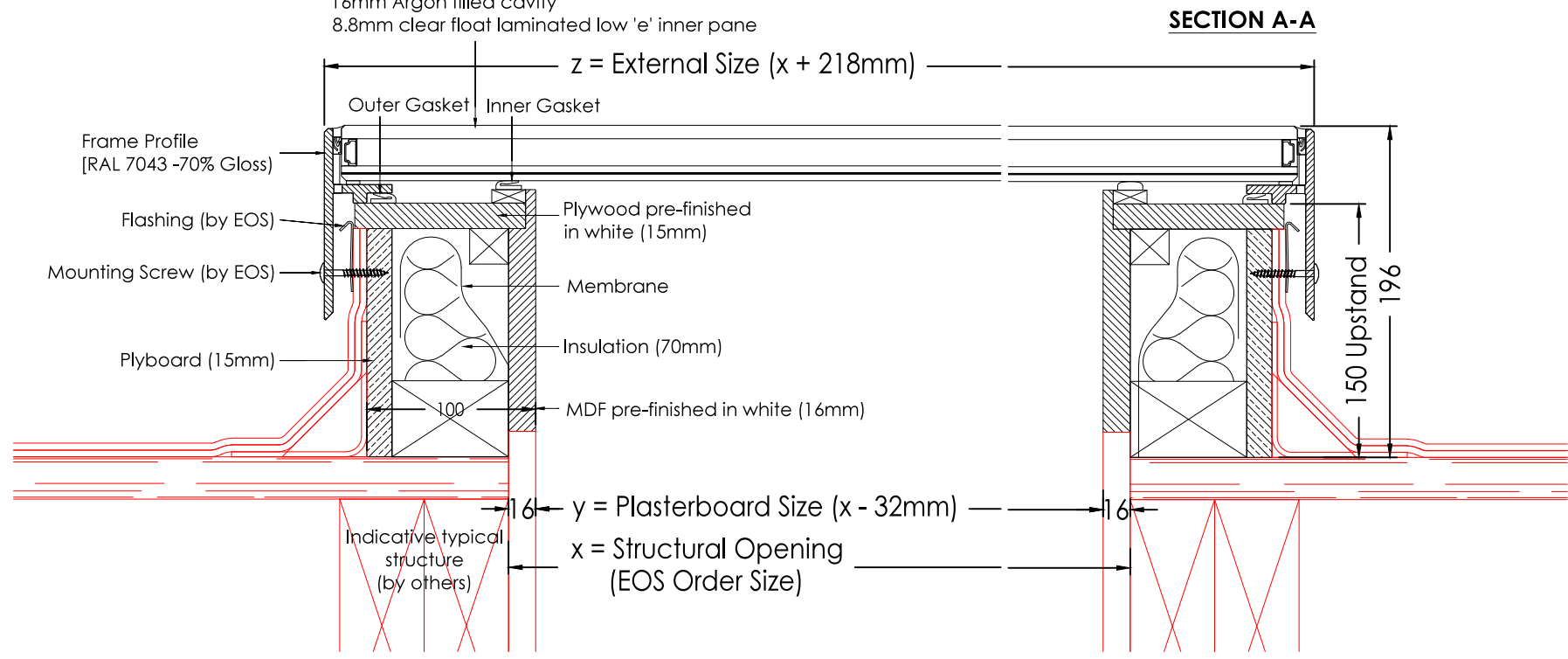
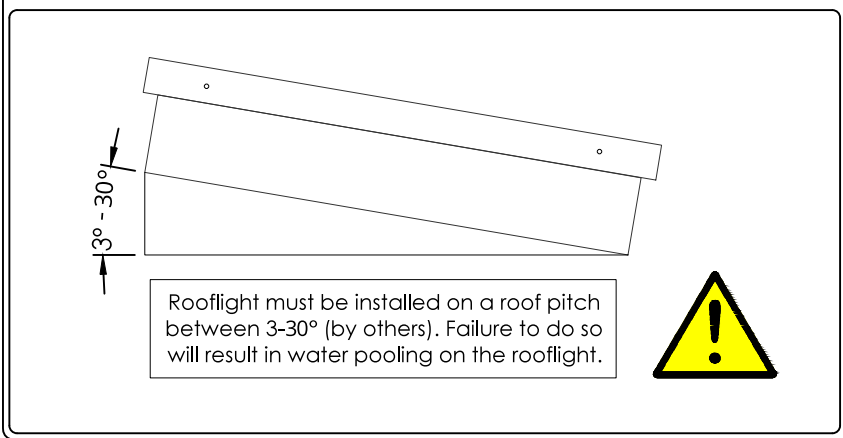
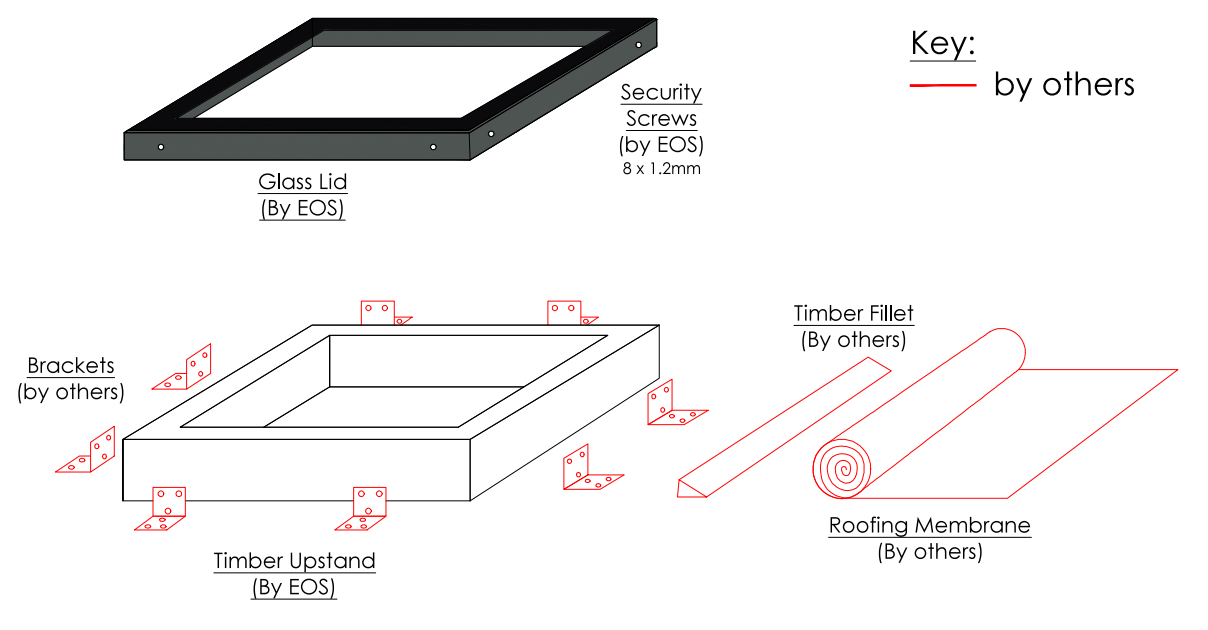


32mm double glazed unit comprising of:
 8mm clear toughened outer pane
 16mm Argon filled cavity
 8.8mm clear float laminated low 'e' inner pane



Installation Procedure
 (See specific installation sheet for more details)



Drawing Title
Fixed Rooflight + upstand Bespoke

scale 1:4 @ A3
 drawing no. EOS.BES.002
 date Aug '13

0
 revision

This drawing is copyright and may not be reproduced either in part or full without written permission from EOS Rooflight's.
 DO NOT SCALE OFF THIS DRAWING