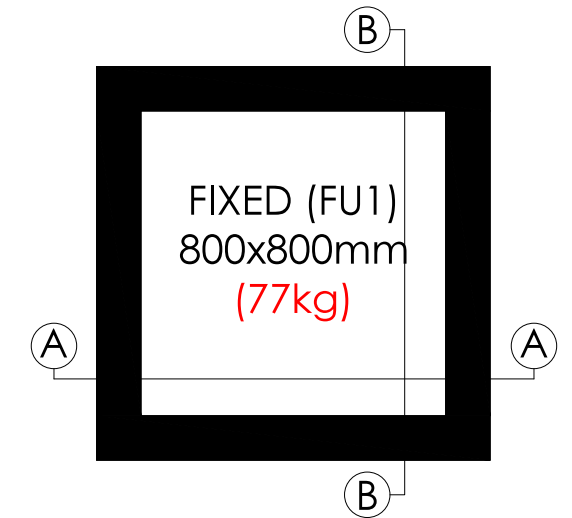
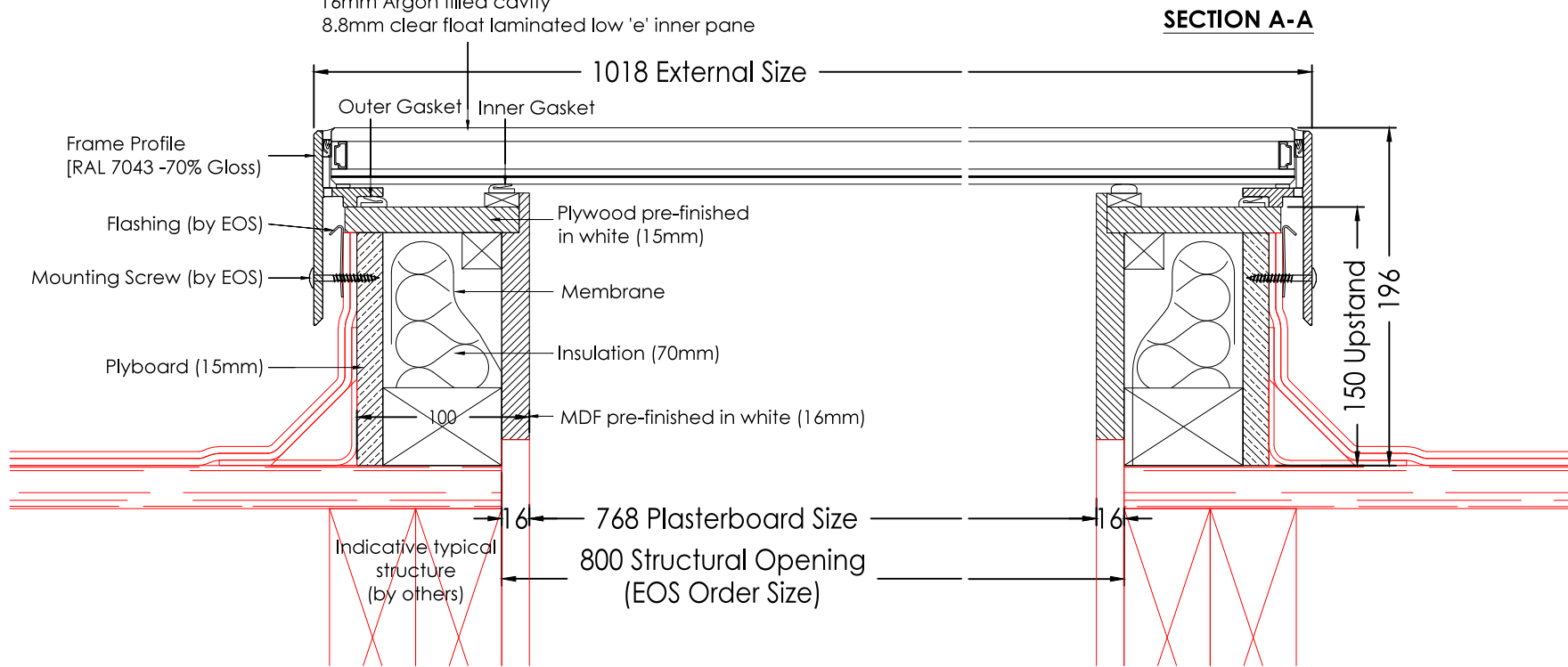
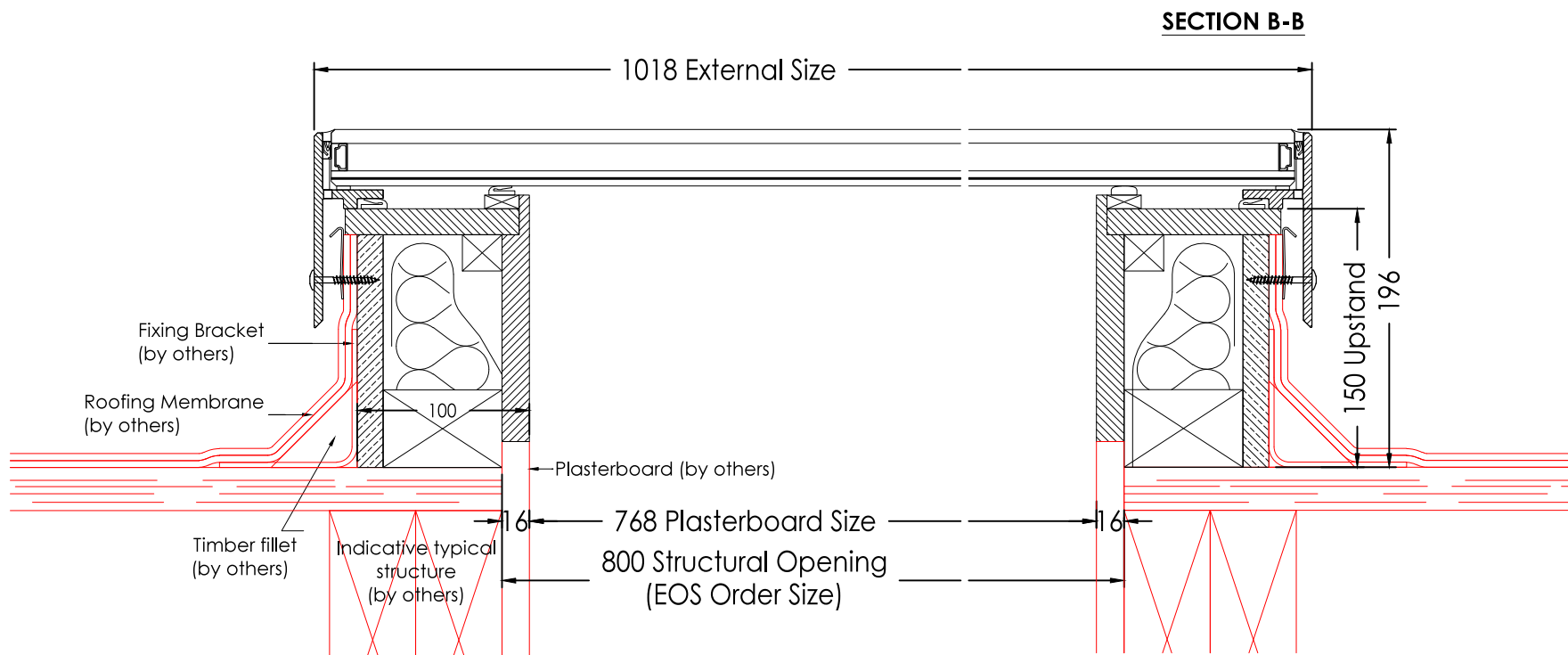


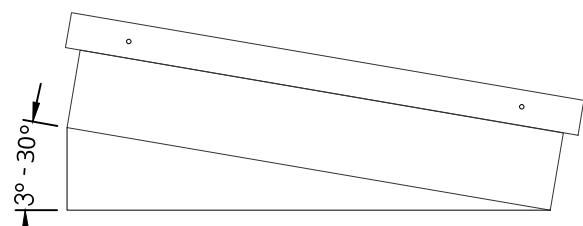
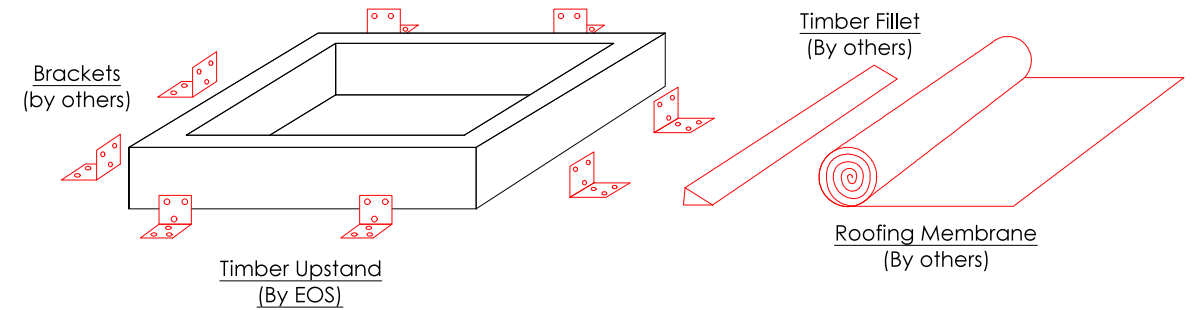
32mm double glazed unit comprising of:  
 8mm clear toughened outer pane  
 16mm Argon filled cavity  
 8.8mm clear float laminated low 'e' inner pane



**Installation Procedure**  
 (See specific installation sheet for more details)



**Key:**  
 — by others



Rooflight must be installed on a roof pitch between 3-30° (by others). Failure to do so will result in water pooling on the rooflight.



Drawing Title			
800x800mm (FU1) Fixed Rooflight + upstand			
scale	1:4 @ A3		
drawing no.	EOS.FU1.002		
date	Aug '13		
<table border="1"> <tr> <td style="font-size: 24pt; font-weight: bold;">0</td> <td>revision</td> </tr> </table>		0	revision
0	revision		