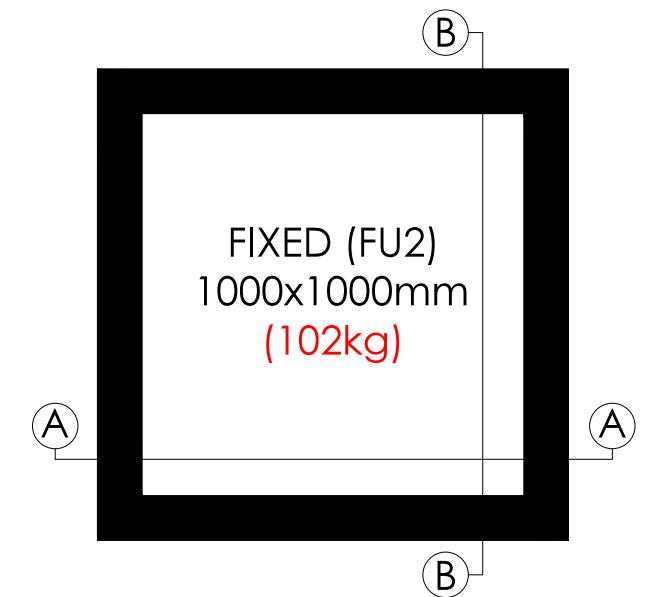
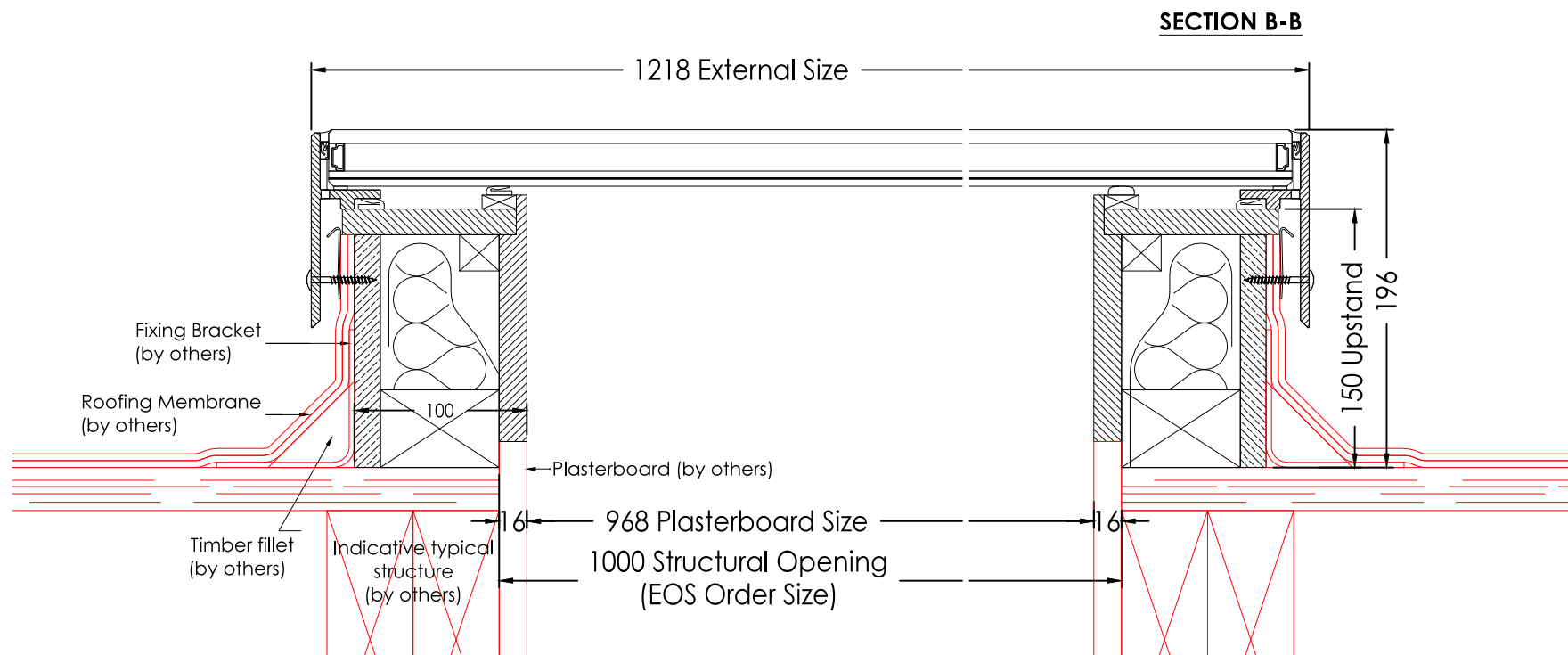
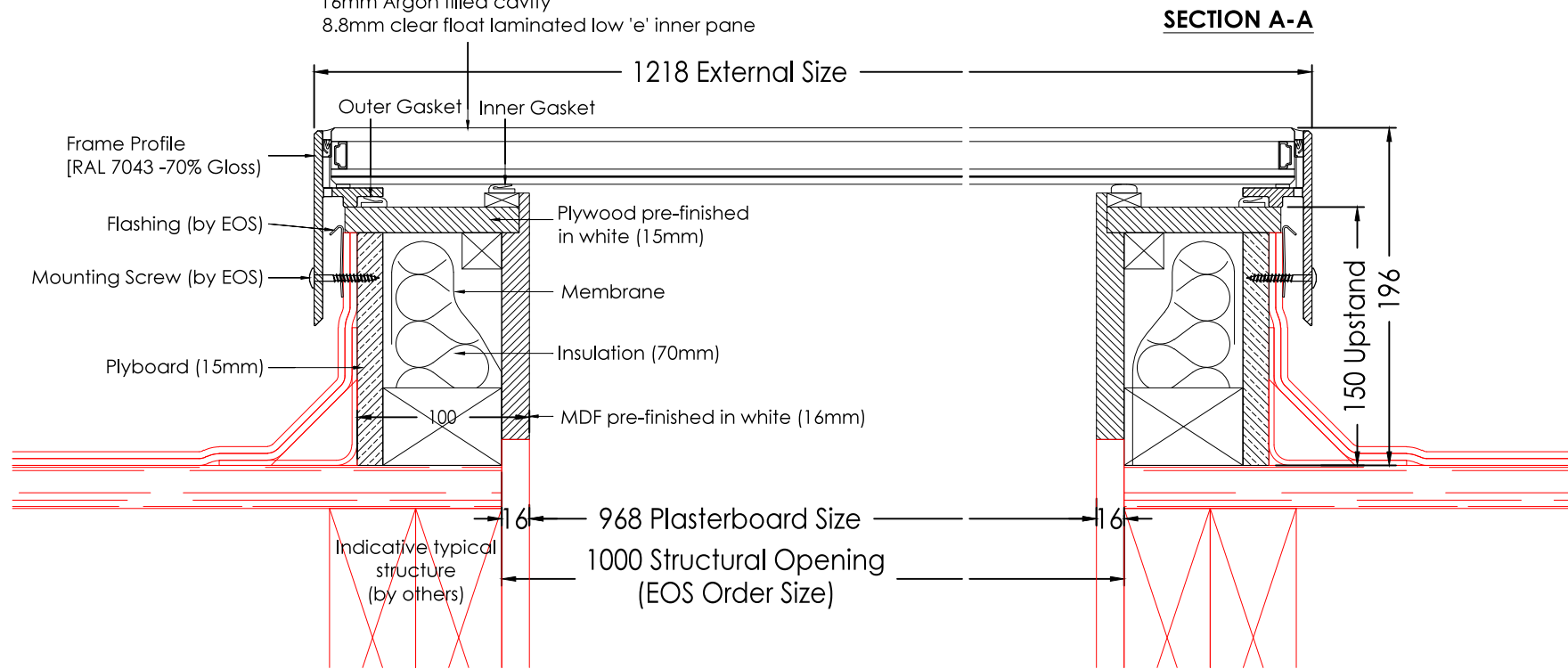
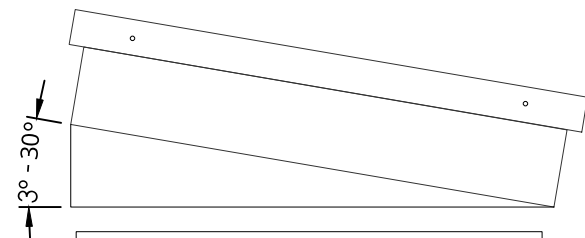
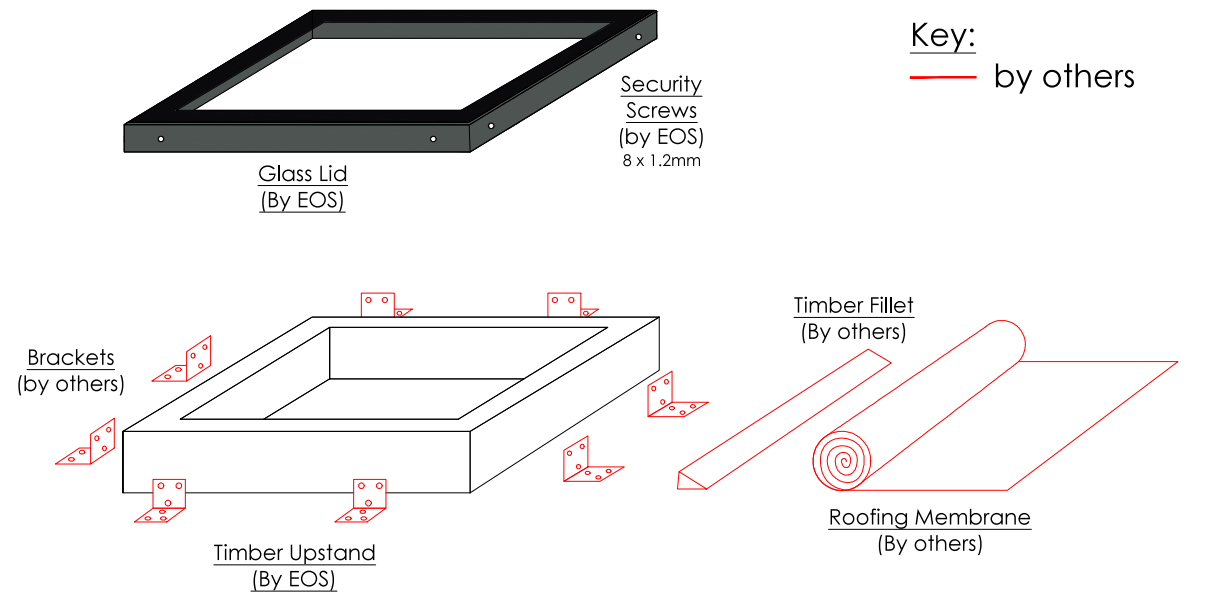


32mm double glazed unit comprising of:  
 8mm clear toughened outer pane  
 16mm Argon filled cavity  
 8.8mm clear float laminated low 'e' inner pane



**Installation Procedure**  
 (See specific installation sheet for more details)



Rooflight must be installed on a roof pitch between 3-30° (by others). Failure to do so will result in water pooling on the rooflight.



Drawing Title  
 1000x1000mm (FU2)  
 Fixed Rooflight + upstand  
 scale 1:4 @ A3  
 drawing no. EOS.FU2.002  
 date Aug '13

0  
 revision

This drawing is copyright and may not be reproduced either in part or full without written permission from EOS Rooflight's.  
**DO NOT SCALE OFF THIS DRAWING**