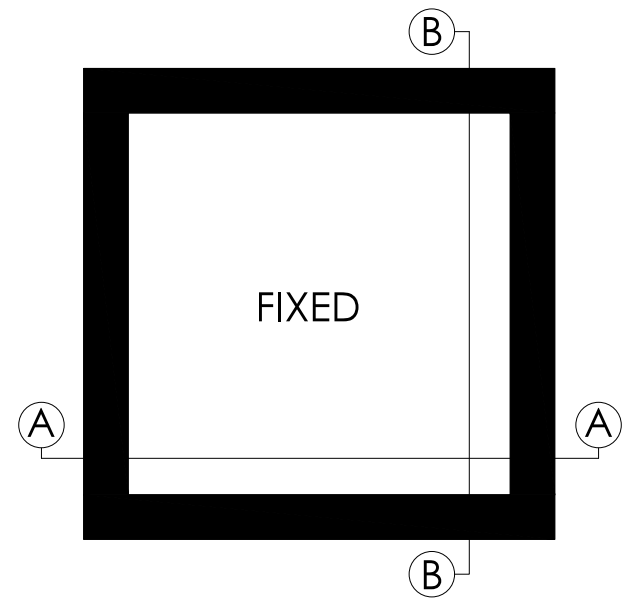
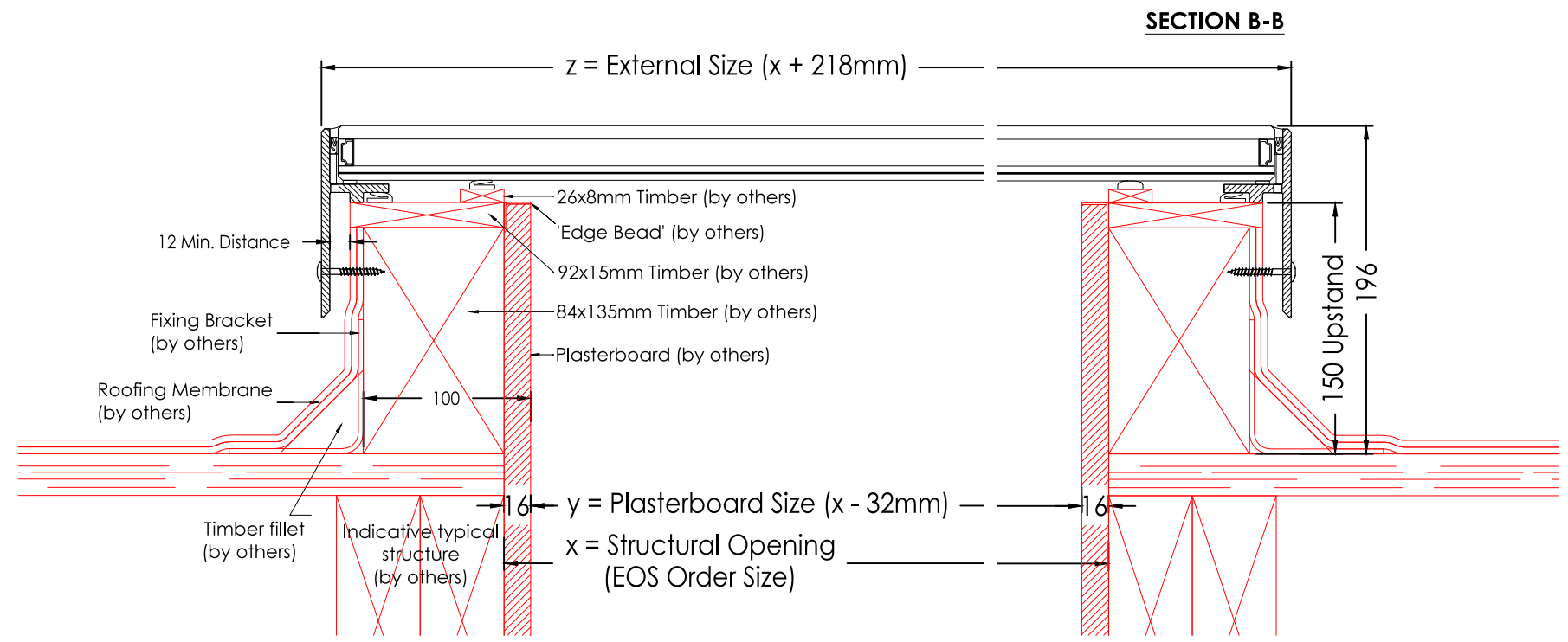
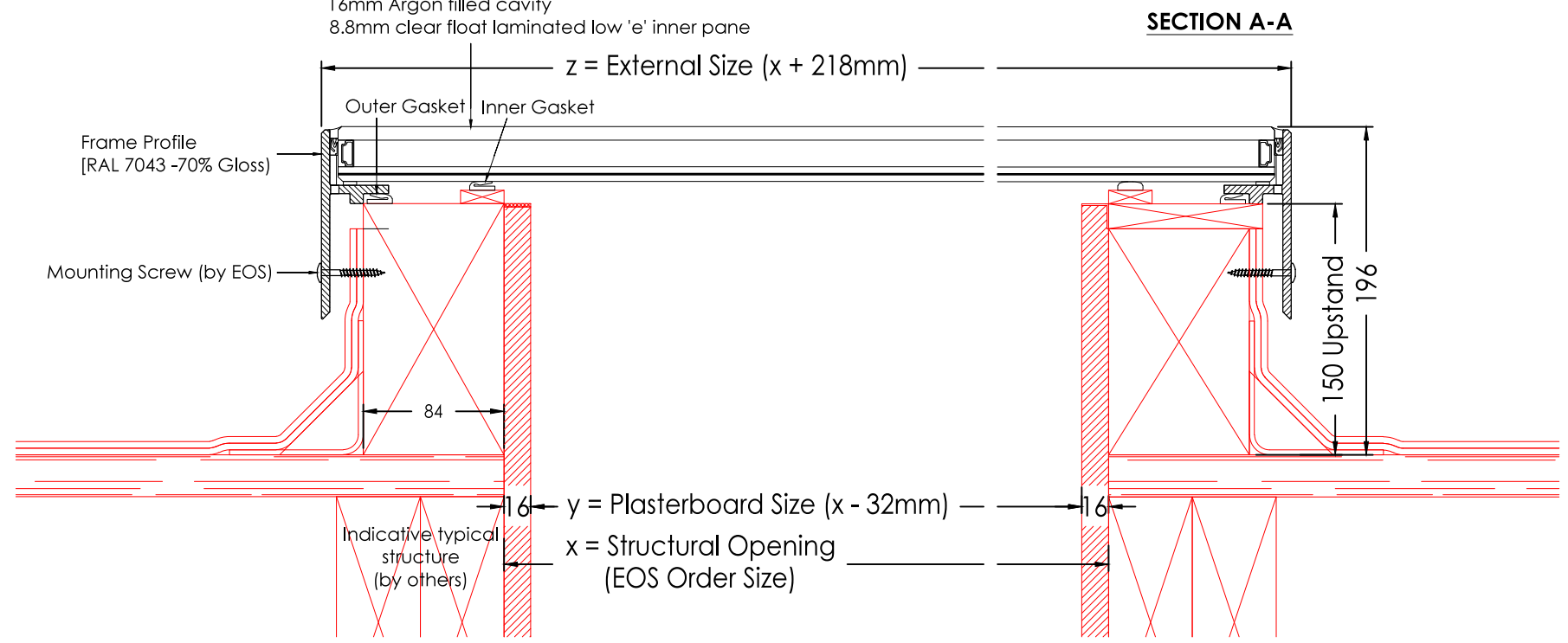
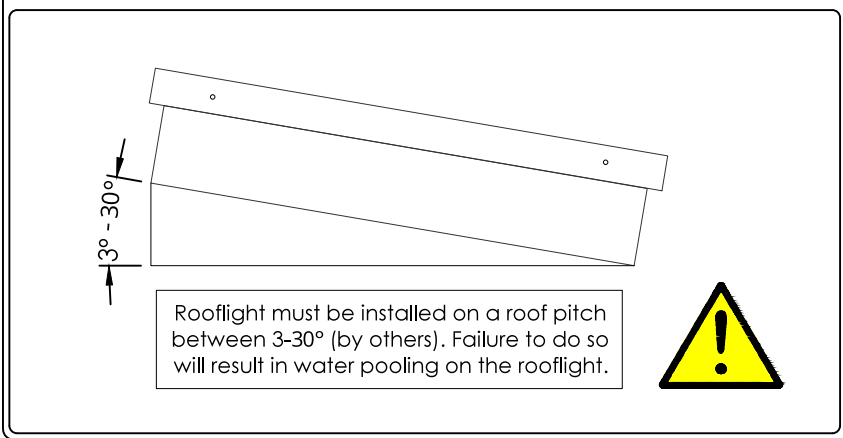
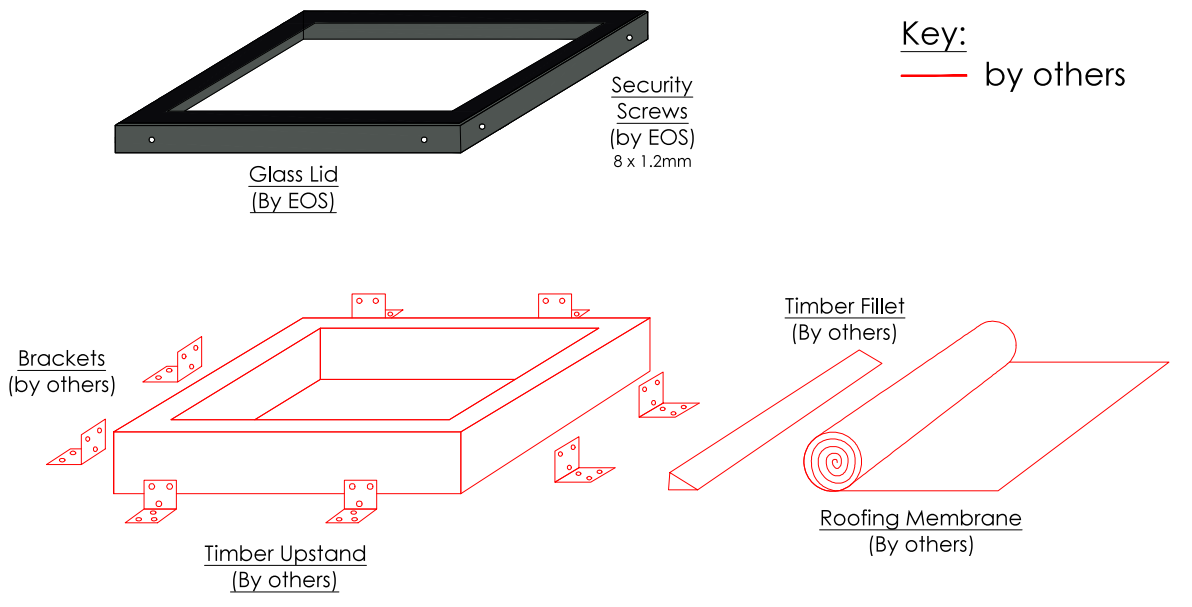


32mm double glazed unit comprising of:
 8mm clear toughened outer pane
 16mm Argon filled cavity
 8.8mm clear float laminated low 'e' inner pane



Installation Procedure
 (See specific installation sheet for more details)



EOS ROOFLIGHTS

Drawing Title
Fixed Rooflight - Bespoke

scale 1:4 @ A3
 drawing no. EOS.BES.001
 date Aug '13

0
 revision

This drawing is copyright and may not be reproduced either in part or full without written permission from EOS Rooflight's.
DO NOT SCALE OFF THIS DRAWING