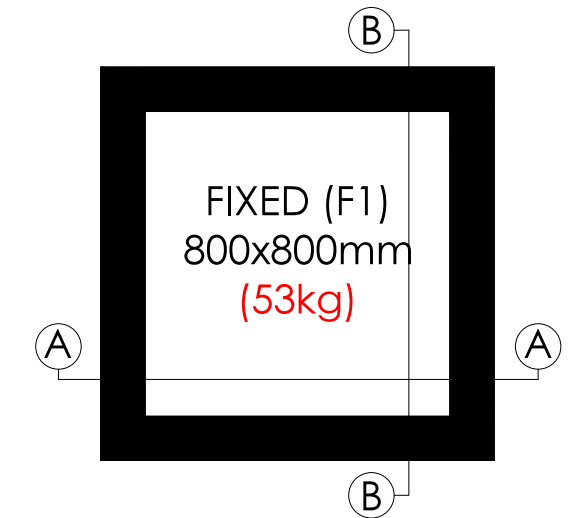
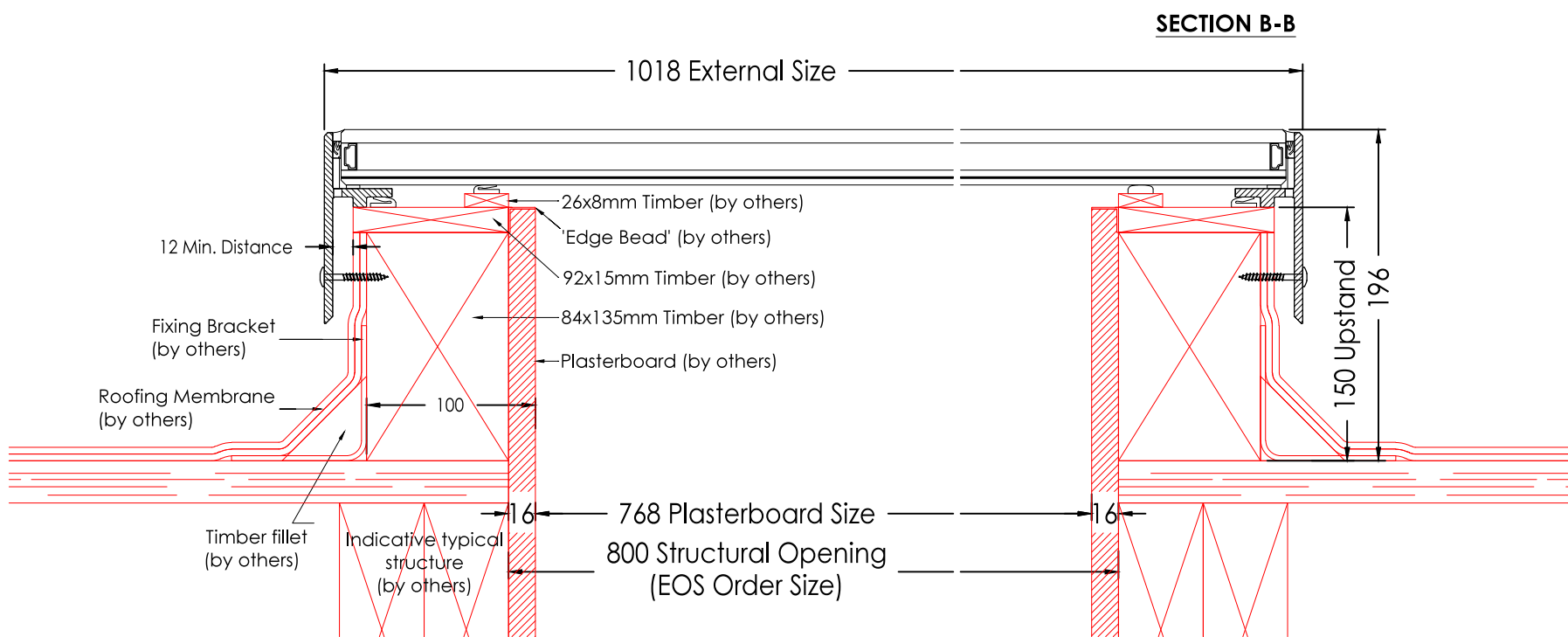
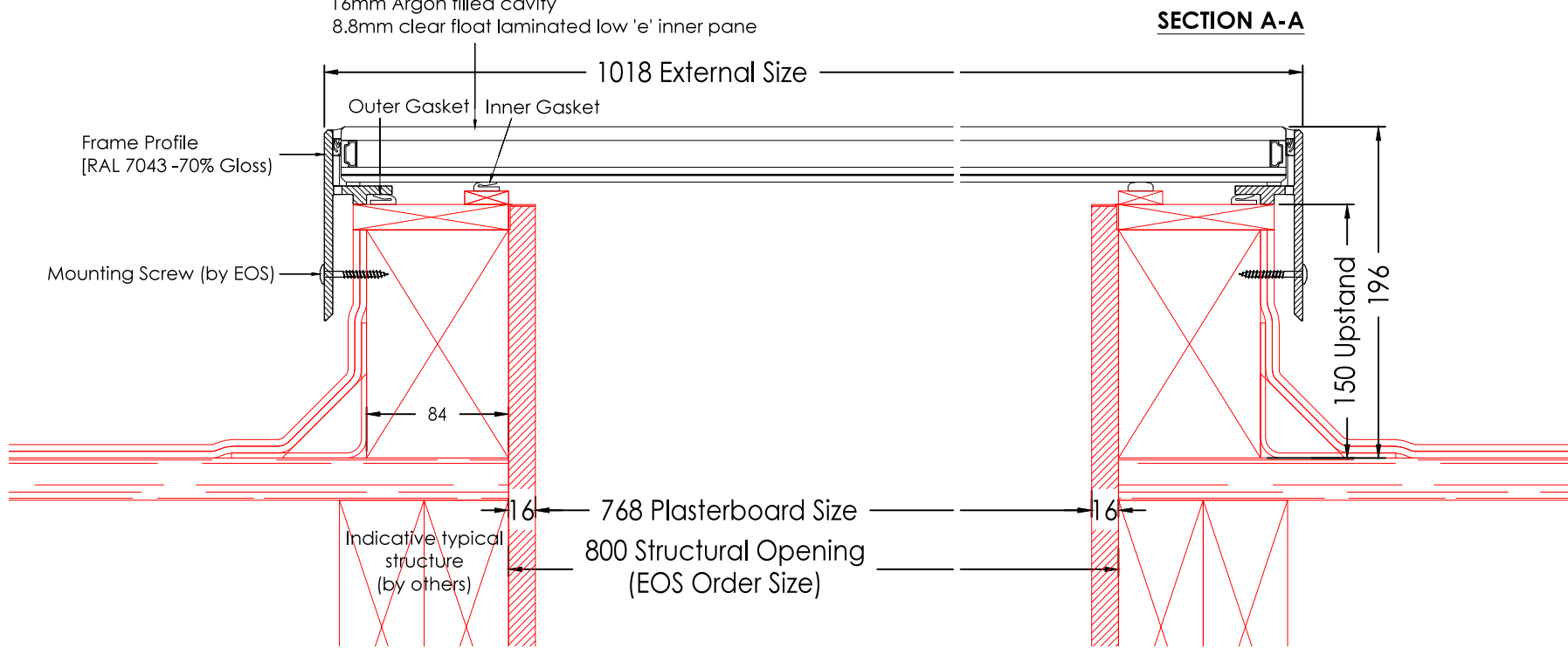


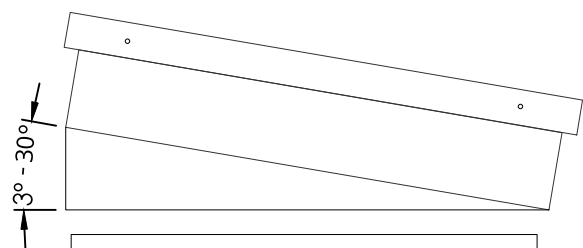
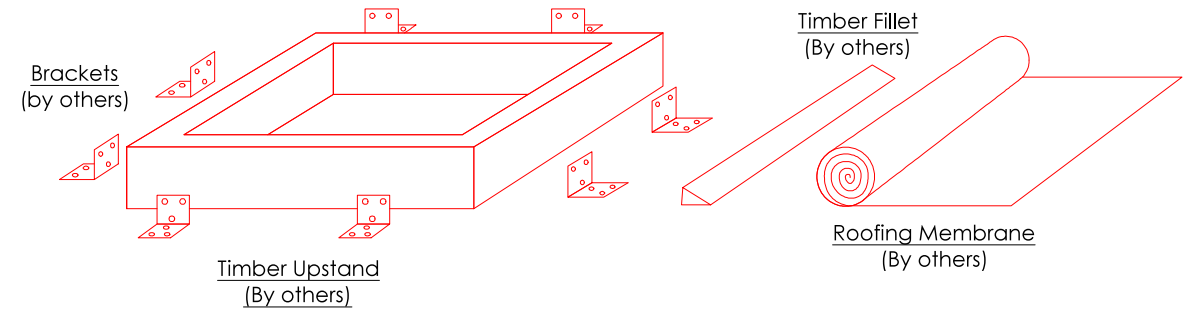
32mm double glazed unit comprising of:  
 8mm clear toughened outer pane  
 16mm Argon filled cavity  
 8.8mm clear float laminated low 'e' inner pane



**Installation Procedure**  
 (See specific installation sheet for more details)



**Key:**  
 — by others



Rooflight must be installed on a roof pitch between 3-30° (by others). Failure to do so will result in water pooling on the rooflight.



Drawing Title  
**800x800mm (F1)  
 Fixed Rooflight**  
 scale 1:4 @ A3  
 drawing no. EOS.F1.001  
 date Aug '13

**0**  
 revision