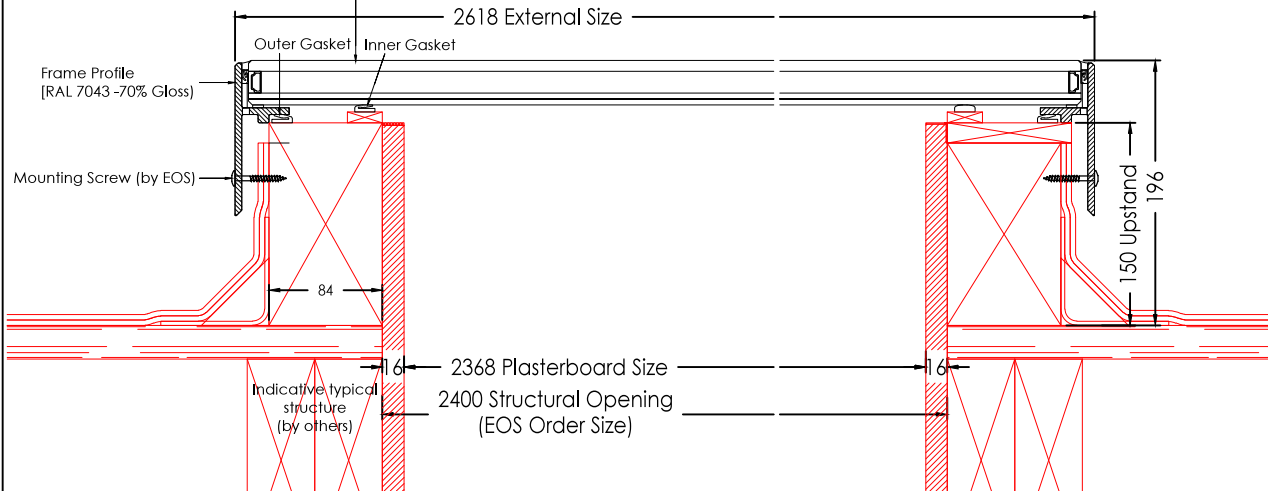
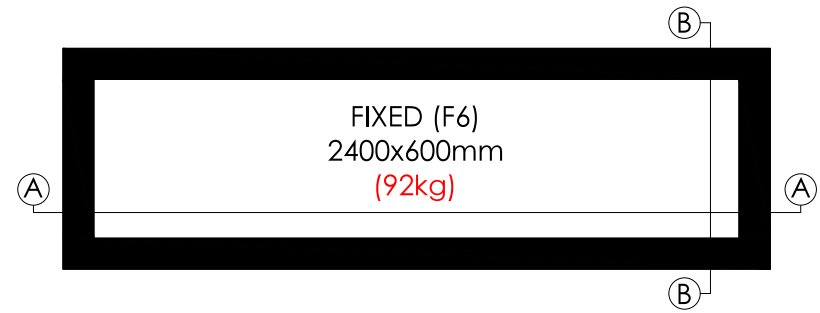


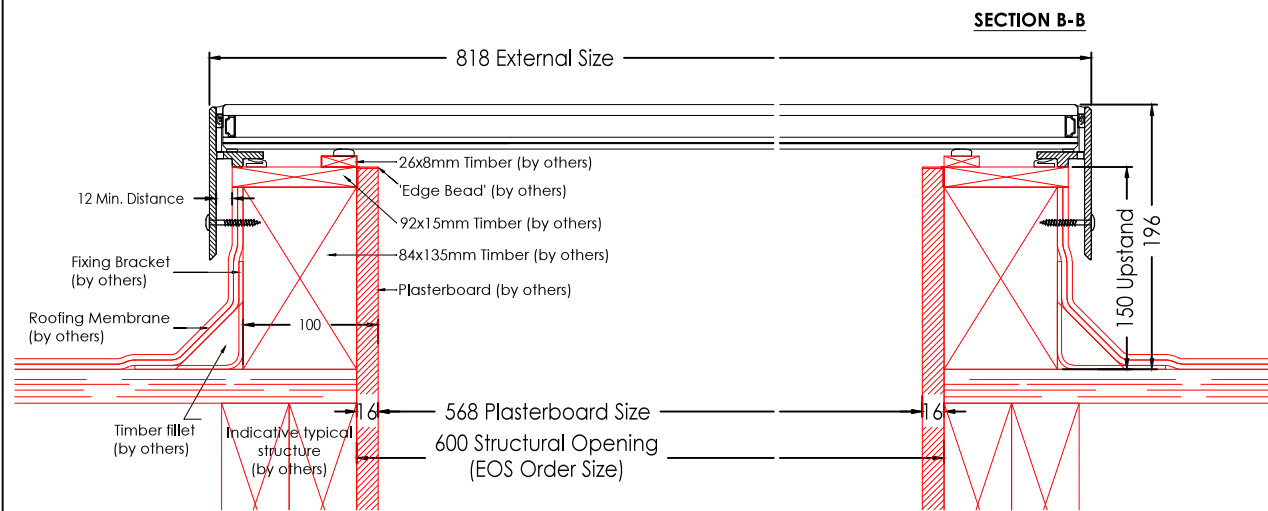
32mm double glazed unit comprising of:  
 8mm clear toughened outer pane  
 16mm Argon filled cavity  
 8.8mm clear float laminated low 'e' inner pane



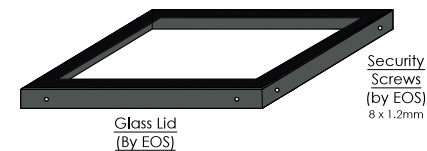
**SECTION A-A**



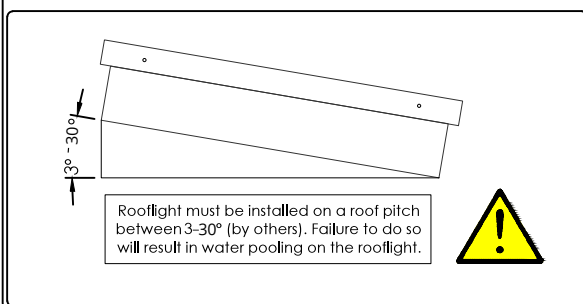
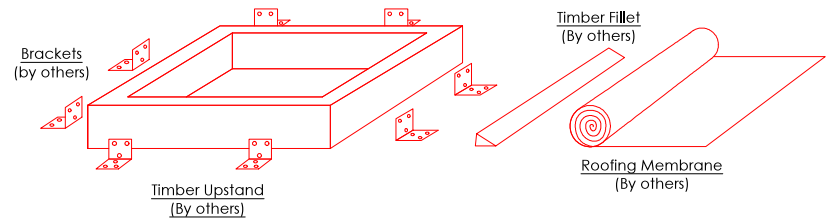
Installation Procedure  
 (See specific installation sheet for more details)



**SECTION B-B**



Key:  
 — by others



Drawing Title	
2400x600mm (F6) Fixed Rooflight	
scale	1:4 @ A3
drawing no.	EOS.F6.001
date	Aug '13
revision	0

This drawing is copyright and may not be reproduced either in part or full without written permission from EOS Rooflight.  
**DO NOT SCALE OFF THIS DRAWING**