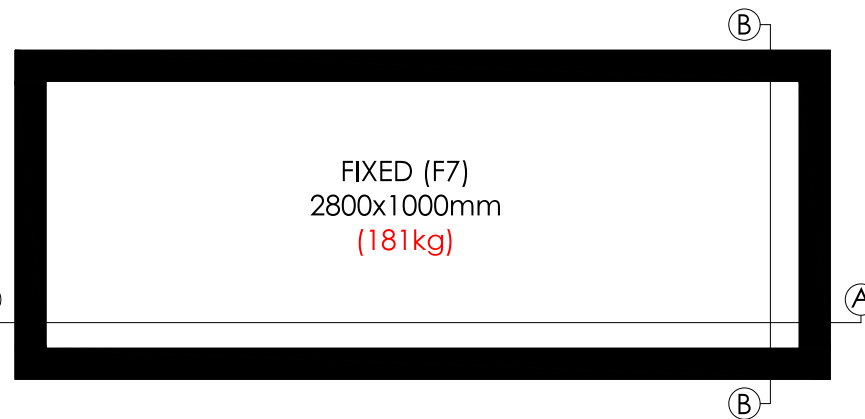
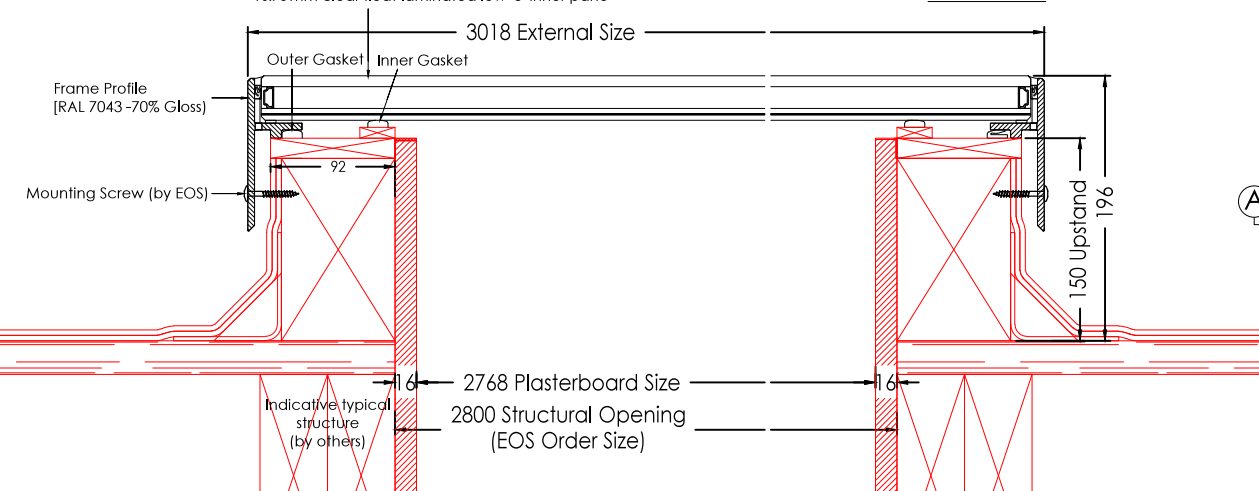


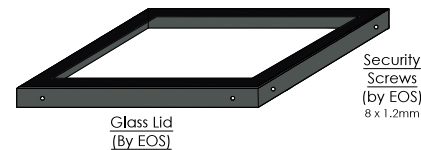
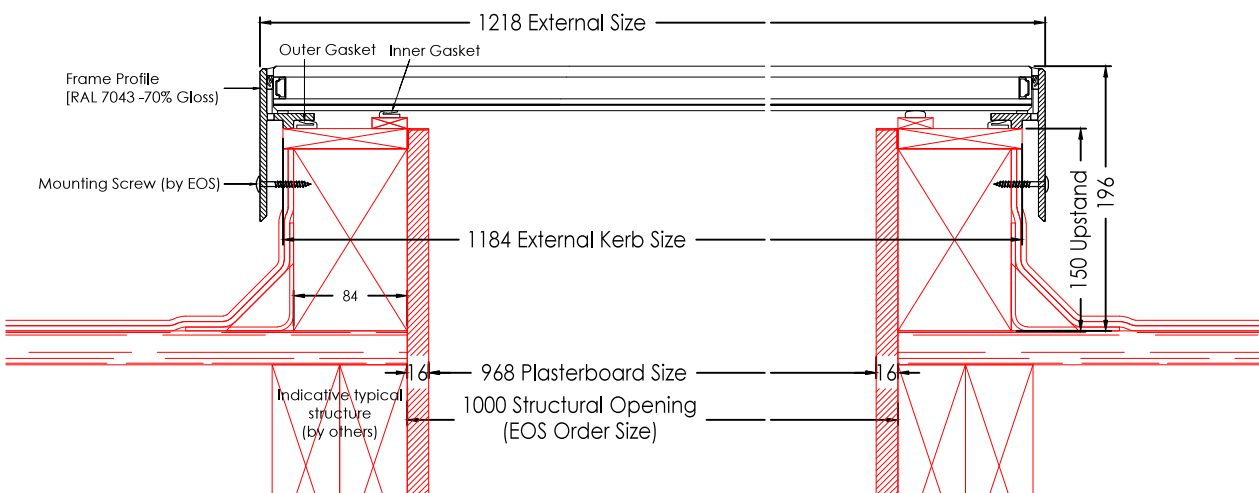
32mm double glazed unit comprising of:
 8mm clear toughened outer pane
 14mm Argon filled cavity
 10.76mm clear float laminated low 'e' inner pane

SECTION A-A

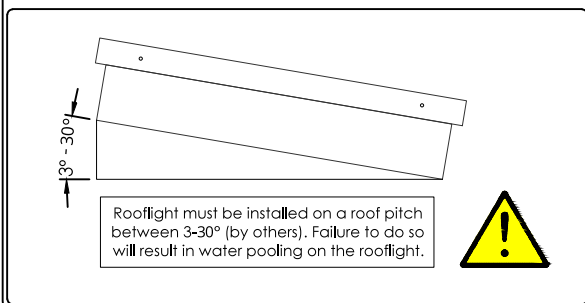
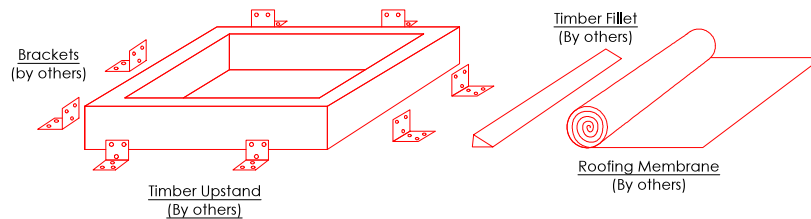


Installation Procedure
 (See specific installation sheet for more details)

SECTION B-B



Key:
 — by others



Assisted Lifting Recommended

Delivery Weight: 253kg



Drawing Title
2800x1000mm (F7) Fixed Rooflight

scale 1:4 @ A3
 drawing no. EOS.F7.001
 date Aug '13

0
 revision