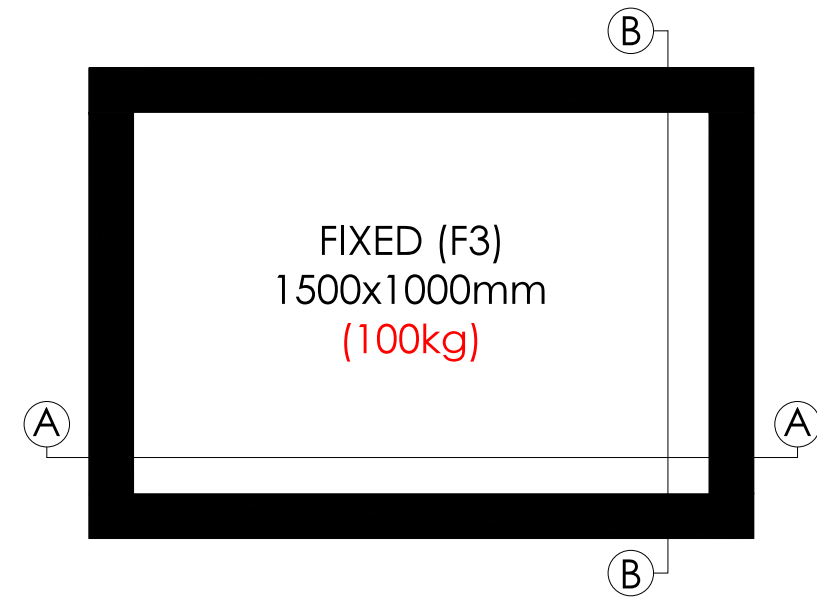
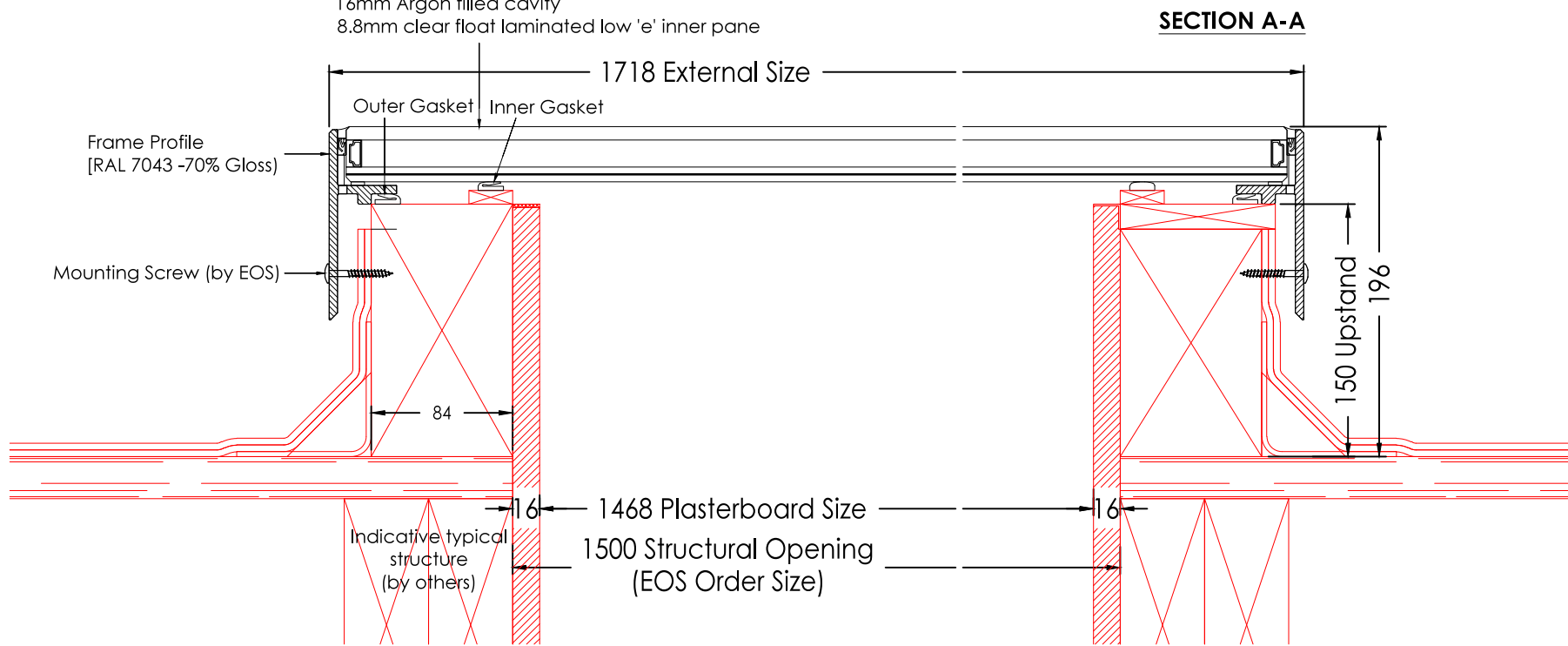
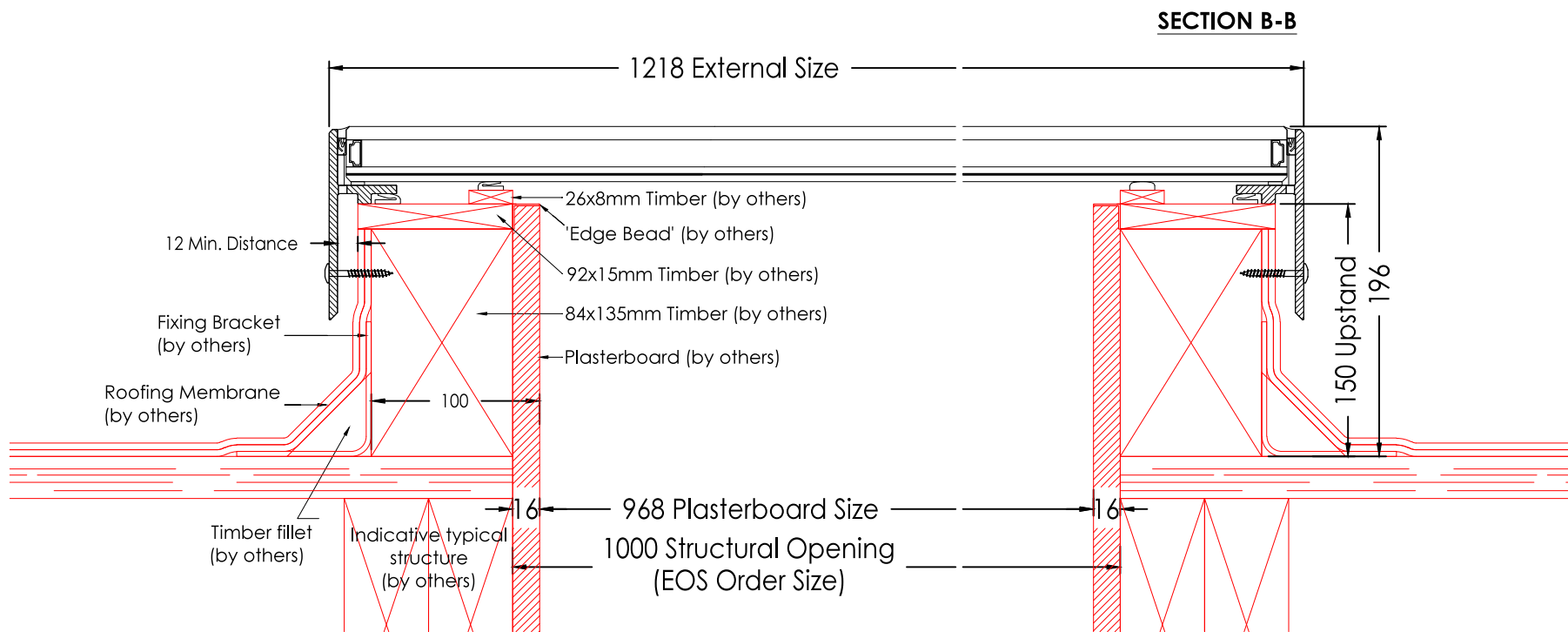


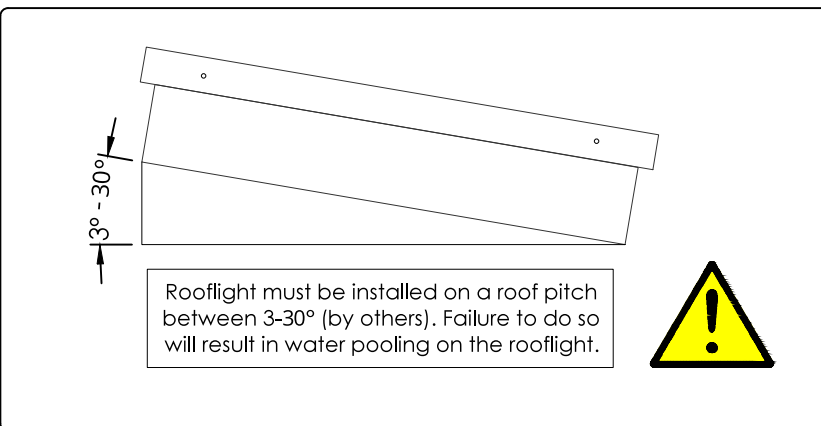
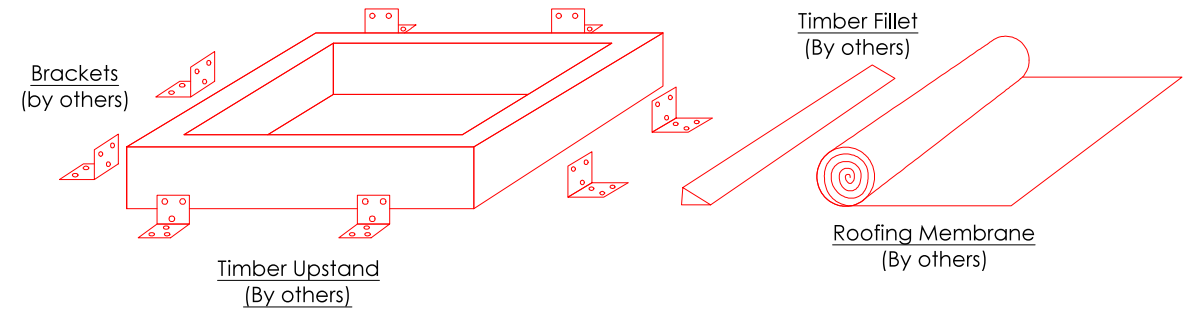
32mm double glazed unit comprising of:
 8mm clear toughened outer pane
 16mm Argon filled cavity
 8.8mm clear float laminated low 'e' inner pane



Installation Procedure
 (See specific installation sheet for more details)



Key:
 — by others



Drawing Title
**1500x1000mm (F3)
 Fixed Rooflight**
 scale 1:4 @ A3
 drawing no. EOS.F3.001
 date Aug '13

0
 revision

This drawing is copyright and may not be reproduced either in part or full without written permission from EOS Rooflight's.
DO NOT SCALE OFF THIS DRAWING