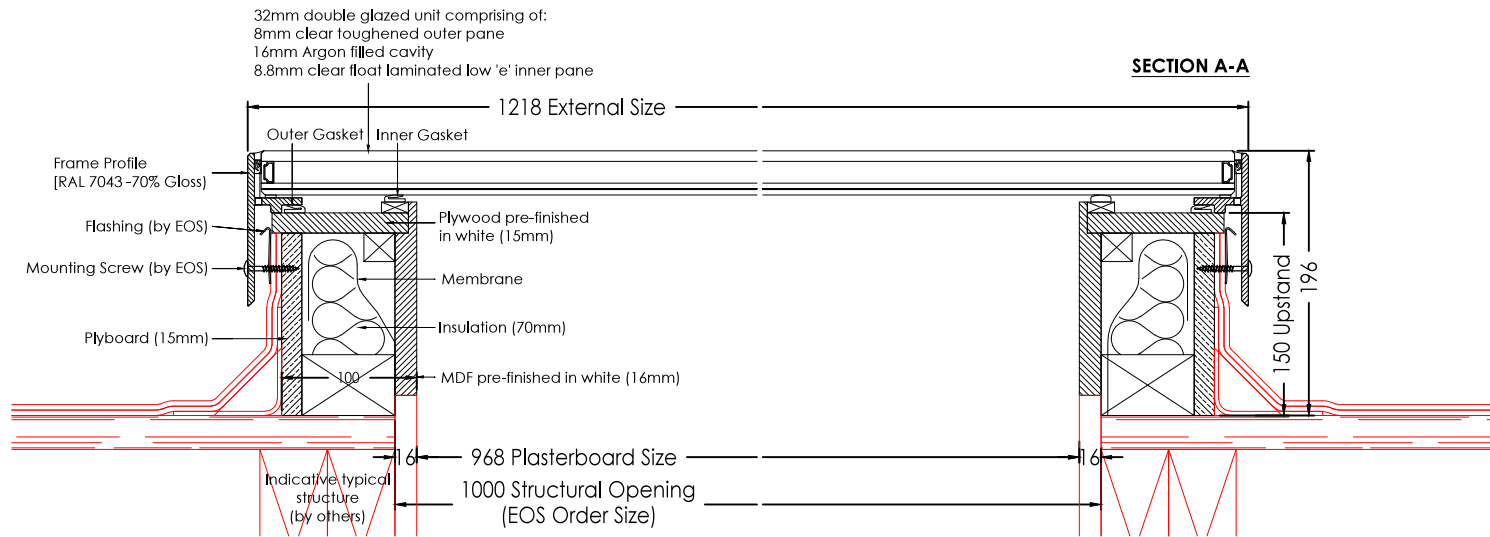
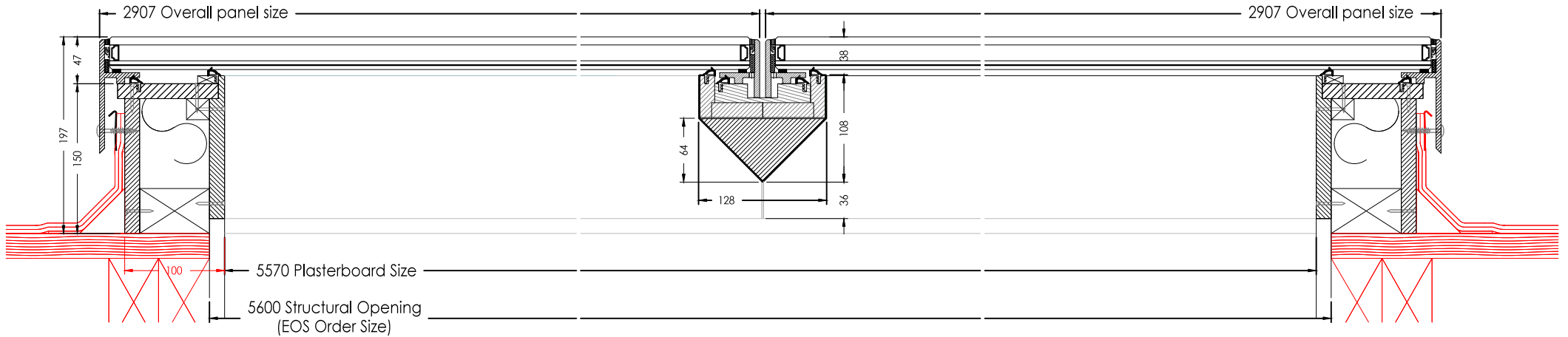


Rooflight must be installed on a roof pitch between 3-30° (by others). Failure to do so will result in water pooling on the rooflight.



FIXED  
2800x1000mm

FIXED  
2800x1000mm



3-30 degree pitch must be on smaller size if modular rooflight has an opener as motor must sit level and not on a pitch.



Drawing Title  
5600mm x 1000mm 2F  
Modular Rooflight

scale 1:4 @ A3

drawing no. EOS.M.003

date Aug '13

revision **0**