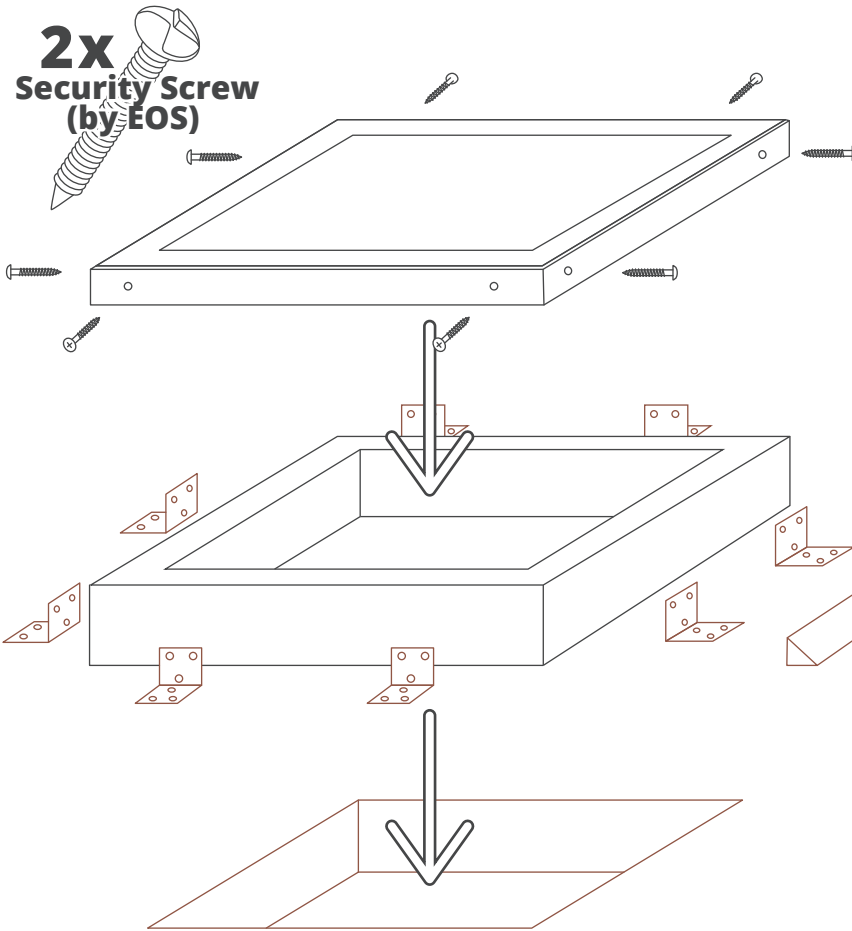


## Tools needed

**2x**  
Security Screw  
(by EOS)



## IMPORTANT

**3° - 15°**

If the roof pitch is less than 3°, a wedge (by others) must be built under product.  
Max roof pitch is 15°.

— BY EOS  
— BY OTHERS

Brackets & Screws  
Arris Rails  
Roof Membrane  
Wedge (if pitch is below 3°)  
Upstand (if not requested)

## Step by Step Guide

- ① Place upstand over opening and check that its square.
- ② Fix upstand using brackets (by others).
- ③ Fix arris rail on top of brackets (by others).
- ④ Weather proof and felt upstand (by others).
- ⑤ Fix metal flashings (by EOS) to upstand through felt.
- ⑥ Place lid on upstand and fix with screws provided (security screws should be fitted on opposite sides).

