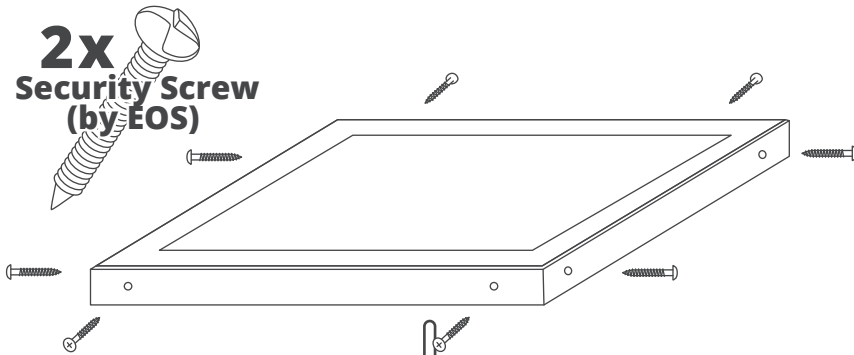


Tools needed

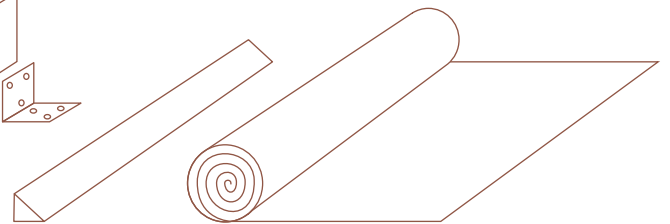
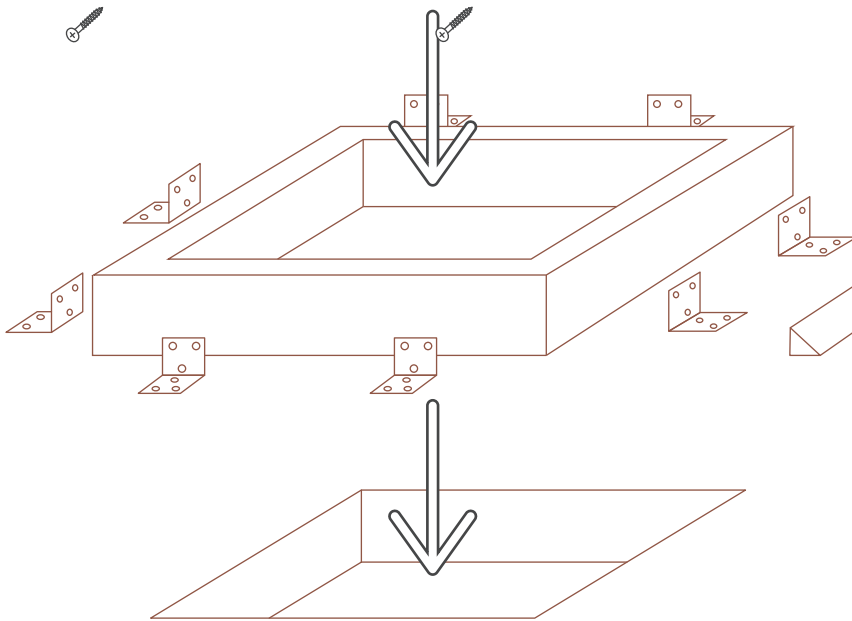
2x
Security Screw
(by EOS)



IMPORTANT

3° - 15°

If the roof pitch is less the 3°, a wedge (by others) must be built under product.
Max roof pitch is 15°.

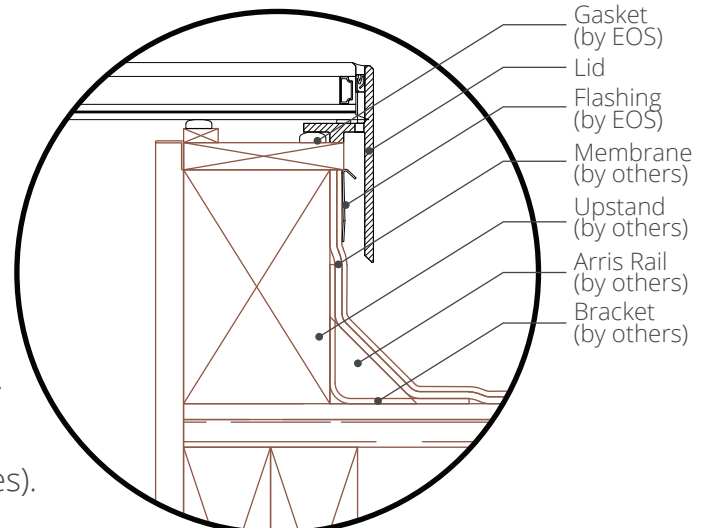


— BY EOS
— BY OTHERS

Brackets & Screws
Arris Rails
Roof Membrane
Wedge (if pitch is below 3°)
Upstand (if not requested)

Step by Step Guide

- ① Build upstand to dimensions provided.
- ② Fix arris rail to outside of upstand (by others).
- ③ Pin gaskets (by EOS) to upstand as shown.
- ④ Weather proof and felt upstand (by others).
- ⑤ Fix metal flashings (by EOS) to upstand through felt.
- ⑥ Place lid on upstand and fix with screws provided (security screws should be fitted on opposite sides).



Gasket (by EOS)
Lid
Flashing (by EOS)
Membrane (by others)
Upstand (by others)
Arris Rail (by others)
Bracket (by others)