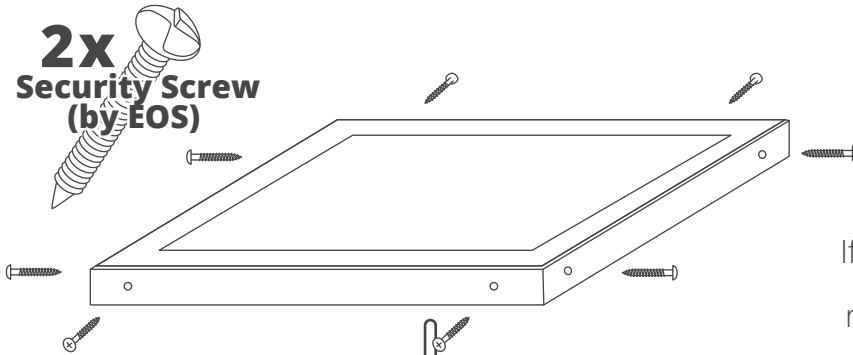
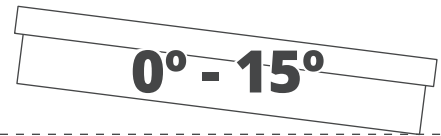


Tools needed

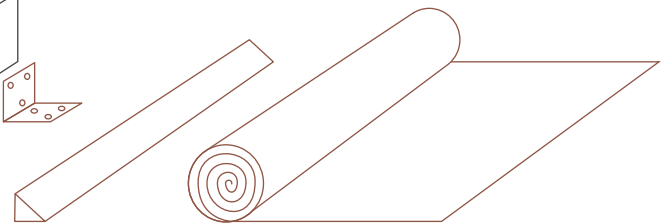
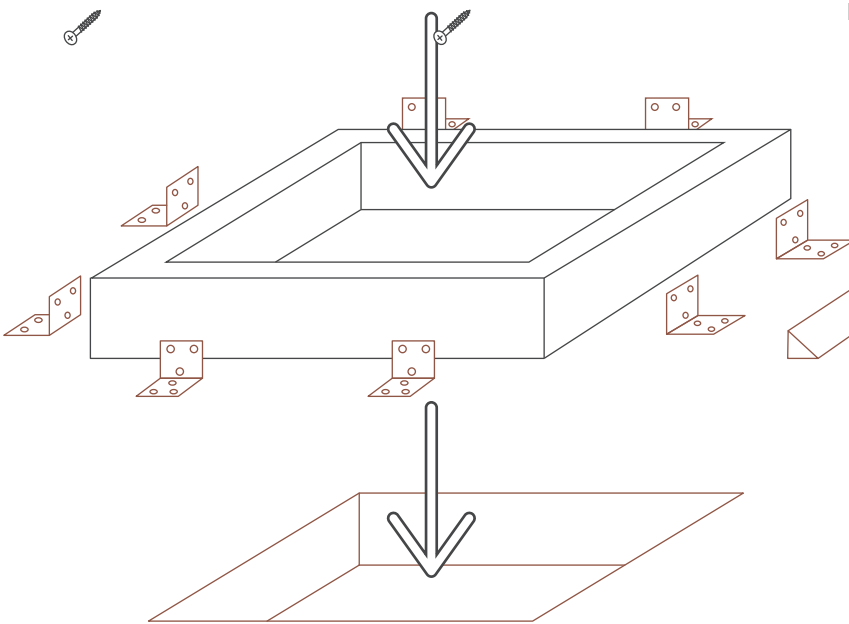
2x
Security Screw
(by EOS)



IMPORTANT



If the roof pitch is less the 3°, water will pool on top of rooflight. If externally it is recommended a wedge (by others) is built under product to prevent this.
Max roof pitch is 15°.

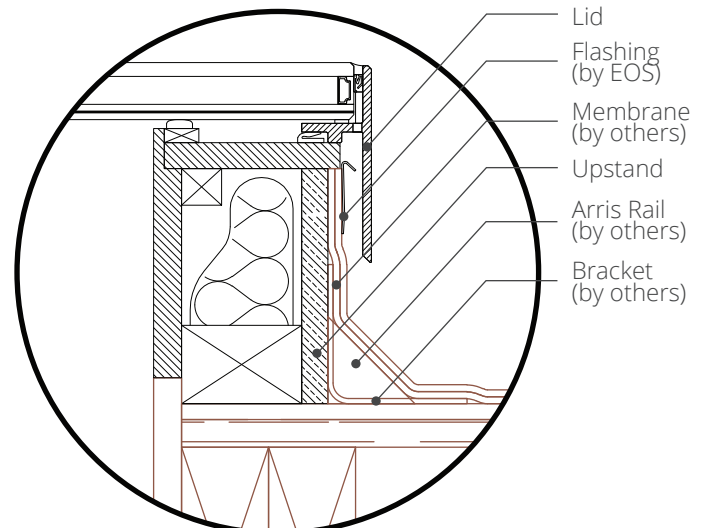


— BY EOS
— BY OTHERS

Brackets & Screws
Arris Rails
Roof Membrane
Wedge (if pitch is below 3°)
Upstand (if not requested)

Step by Step Guide

- ① Place upstand over opening and check that its square.
- ② Fix upstand using brackets (by others).
- ③ Fix arris rail on top of brackets (by others).
- ④ Weather proof and felt upstand (by others).
- ⑤ Fix metal flashings (by eos) to upstand through felt.
- ⑥ Place lid on upstand and fix with screws provided (security screws should be on opposite sides).



Lid
Flashing
(by EOS)
Membrane
(by others)
Upstand
Arris Rail
(by others)
Bracket
(by others)