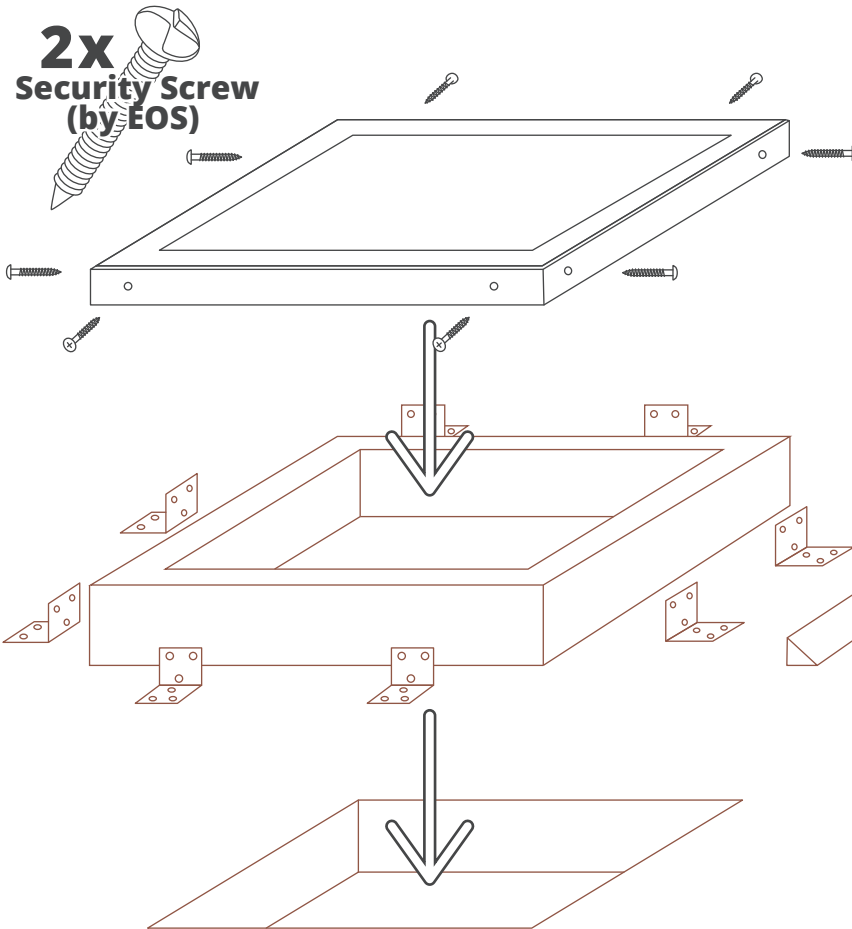


Tools needed

2x
Security Screw
(by EOS)



IMPORTANT

3° - 15°

If the roof pitch is less than 3°, a wedge (by others) must be built under product.
Max roof pitch is 15°.

— BY EOS
— BY OTHERS

Brackets & Screws
Arris Rails
Roof Membrane
Wedge (if pitch is below 3°)
Upstand (if not requested)

Step by Step Guide

- ① Build upstand to dimensions provided.
- ② Fix arris rail to outside of upstand (by others).
- ③ Pin gaskets (by EOS) to upstand as shown.
- ④ Weather proof and felt upstand (by others).
- ⑤ Fix metal flashings (by EOS) to upstand through felt.
- ⑥ Place lid on upstand and fix with screws provided (security screws should be fitted on opposite sides).

